

Specification Sheet

211.300.000 UPPER PART CIRCLE

- No supporting ring
- Floor: vinyl
- Grating: Ø155mm
- Stainless steel: AISI304/EN1.4301

Product Codes

UPC/EAN: 5705499106978

VVS Number: 153614711

RSK Number:

NRF Number:

LVI Number:

Specification

Brand Name: BLÜCHER

Floor: Vinyl

Material: AISI 304

Material (EN): EN 1.4301

Minimum Height (mm): 53

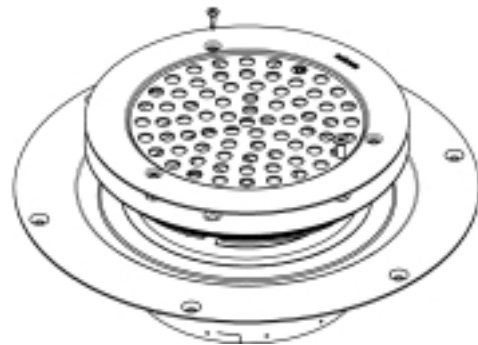
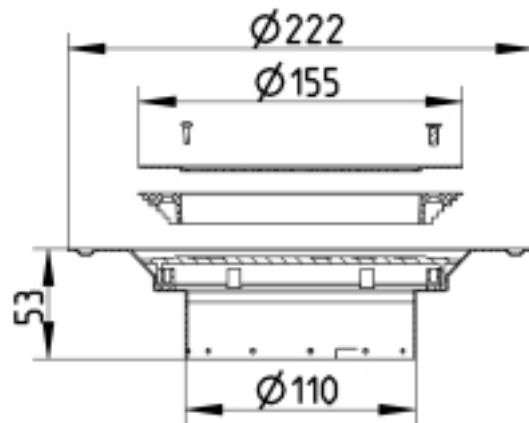
Outlet Diameter (mm): 110

Series: Upper part-Vinyl-155

Shape: Round

Type: Upper parts

Weight (kg): 0,70



BLÜCHER®

A WATTS Brand