

# Specification Sheet

## 210.300.001 UPPER PART CIRCLE, LONG

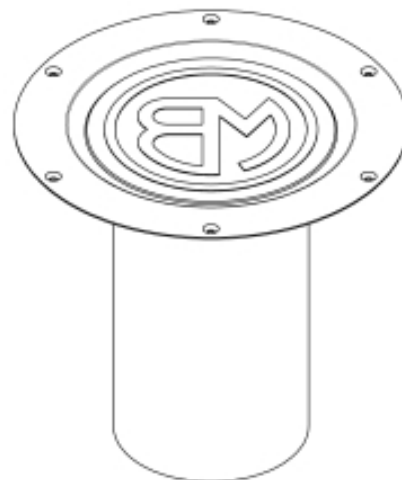
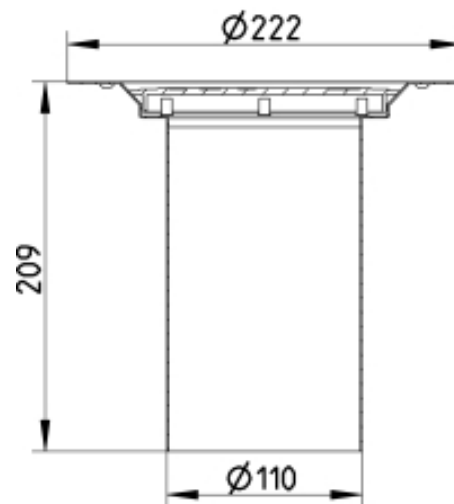
- No supporting ring
- Floor: vinyl
- Stainless steel: AISI304/EN1.4301

### Product Codes

UPC/EAN: 5705499117981  
VVS Number: 153614740  
RSK Number:  
NRF Number:  
LVI Number: 3303889

### Specification

Brand Name: BLÜCHER  
Floor: Vinyl  
Material: AISI 304  
Material (EN): EN 1.4301  
Minimum Height (mm): 209  
Outlet Diameter (mm): 110  
Series: Upper part-Vinyl-155  
Shape: Round  
Type: Upper parts  
Weight (kg): 0,81



**BLÜCHER®**

A WATTS Brand