

Specification Sheet

210.300.001 S UPPER PART CIRCLE, LONG

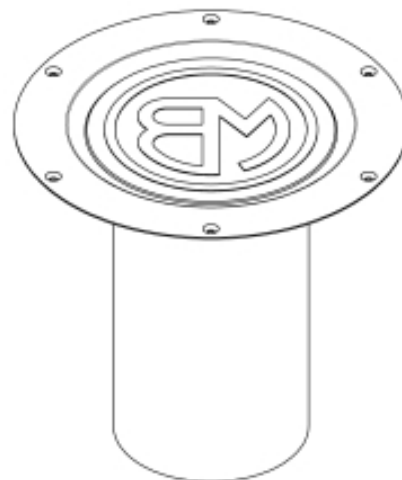
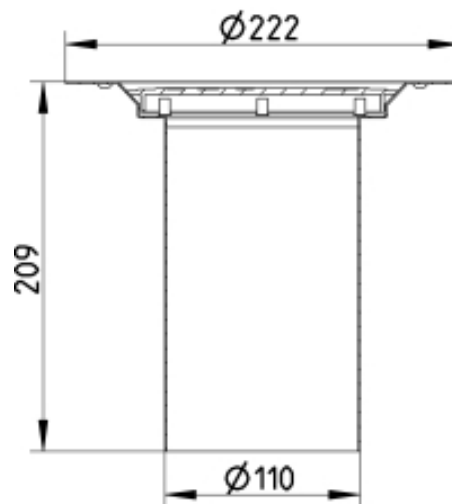
- No supporting ring
- Floor: vinyl
- Stainless steel: AISI316L/EN1.4404

Product Codes

UPC/EAN: 5705499117998
VVS Number: 153614750
RSK Number:
NRF Number:
LVI Number: 3303896

Specification

Brand Name: BLÜCHER
Floor: Vinyl
Material: AISI 316L
Material (EN): EN 1.4404
Minimum Height (mm): 209
Outlet Diameter (mm): 110
Series: Upper part-Vinyl-155
Shape: Round
Type: Upper parts
Weight (kg): 0,81



BLÜCHER®

A WATTS Brand