

210.300.000 S UPPER PART CIRCLE

- No supporting ring
- Floor: vinyl
- Grating: Ø155mm
- Stainless steel: AISI316L/EN1.4404

Product Codes

UPC/EAN: 5705499107005

VVS Number: 153614720

RSK Number:

NRF Number:

LVI Number:

Specification

Brand Name: BLÜCHER

Floor: Vinyl

Material: AISI 316L

Material (EN): EN 1.4404

Minimum Height (mm): 70

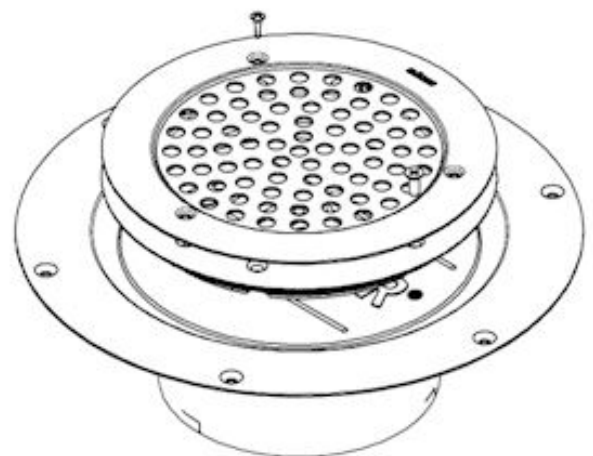
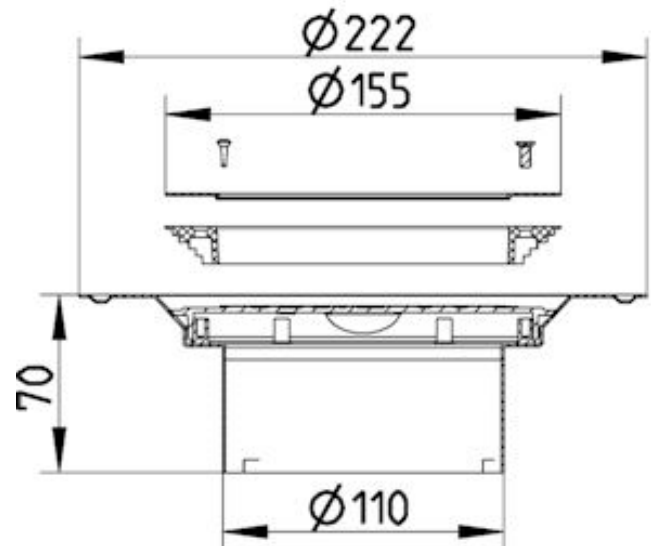
Outlet Diameter (mm): 110

Series: Upper part-Vinyl-155

Shape: Round

Type: Upper parts

Weight (kg): 0,60



BLÜCHER®

A **WATTS** Brand