

150.320.100 S UPPER PART CIRCLE

- With supporting ring for water trap and HygienicPro grating
- Floor: resin
- Frame: Ø180mm
- Stainless steel: AISI316L/EN1.4404

Product Codes

UPC/EAN: 5705499131888

VVS Number:

RSK Number:

NRF Number:

LVI Number:

Specification

Brand Name: BLÜCHER

Floor: Resin

Material: AISI 316L

Material (EN): EN 1.4404

Minimum Height (mm): 59

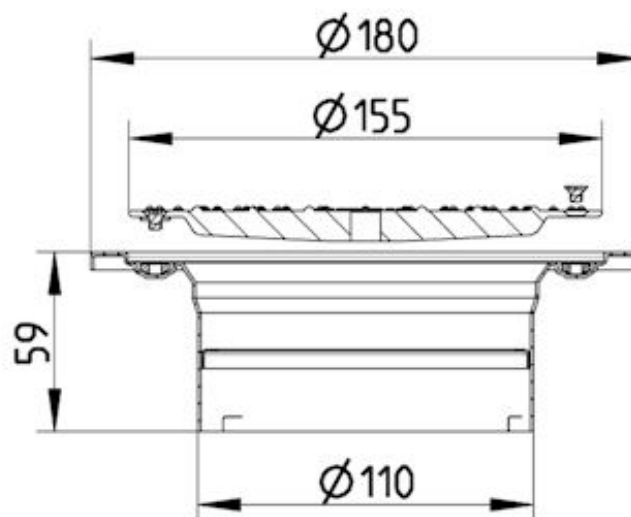
Outlet Diameter (mm): 110

Series: Upper part-No membrane-180

Shape: Round

Type: Upper parts

Weight (kg): 0,83



BLÜCHER®

A WATTS Brand