

# Specification Sheet

## 150.320.000 S UPPER PART CIRCLE

- With supporting ring for water trap
- Floor: resin
- Frame: Ø180mm
- Stainless steel: AISI316L/EN1.4404

### Product Codes

UPC/EAN: 5705499118049

VVS Number: 153337116

RSK Number:

NRF Number:

LVI Number: 3304251

### Specification

Brand Name: BLÜCHER

Floor: Resin

Material: AISI 316L

Material (EN): EN 1.4404

Minimum Height (mm): 59

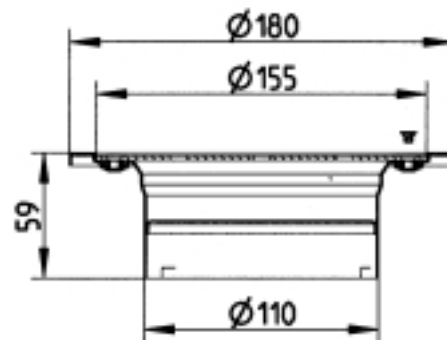
Outlet Diameter (mm): 110

Series: Upper part-No membrane-180

Shape: Round

Type: Upper parts

Weight (kg): 0,57



**BLÜCHER®**

A WATTS Brand