

150.300.002 UPPER PART SQUARE

- With supporting ring for water trap
- Floor: concrete and tiled
- Frame: 197x197mm
- Stainless steel: AISI304/EN1.4301

Product Codes

UPC/EAN: 5705499135466

VVS Number:

RSK Number:

NRF Number:

LVI Number:

Specification

Brand Name: BLÜCHER

Floor: Concrete/tiled

Material: AISI 304

Material (EN): EN 1.4301

Minimum Height (mm): 70

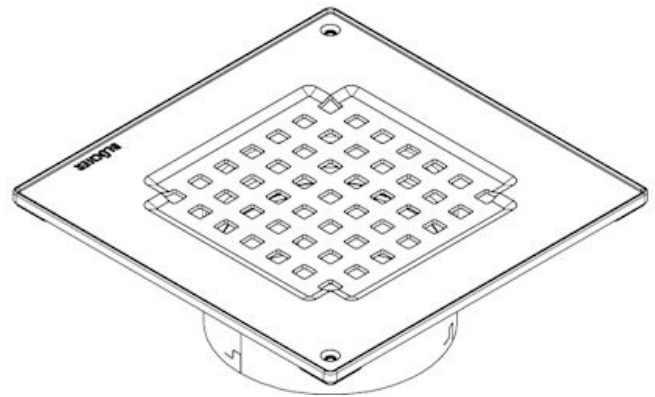
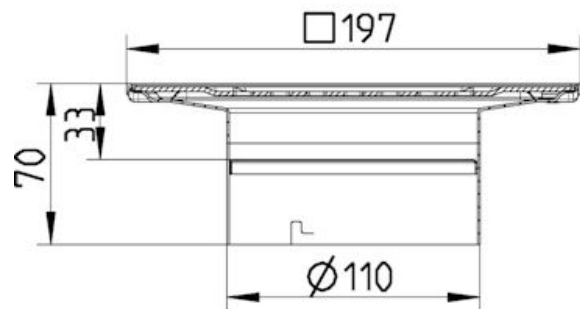
Outlet Diameter (mm): 110

Series: Upper part-No membrane-197

Shape: Square

Type: Upper parts

Weight (kg): 1,00



BLÜCHER®

A **WATTS** Brand