

Specification Sheet

150.300.001 UPPER PART SQUARE, LONG

- With supporting ring for water trap
- Floor: concrete and tiled
- Frame: 145x145mm
- Stainless steel: AISI304/EN1.4301

Product Codes

UPC/EAN: 5705499107234

VVS Number: 153321720

RSK Number:

NRF Number:

LVI Number: 3305781

Specification

Brand Name: BLÜCHER

Floor: Concrete/tiled

Material: AISI 304

Material (EN): EN 1.4301

Minimum Height (mm): 199

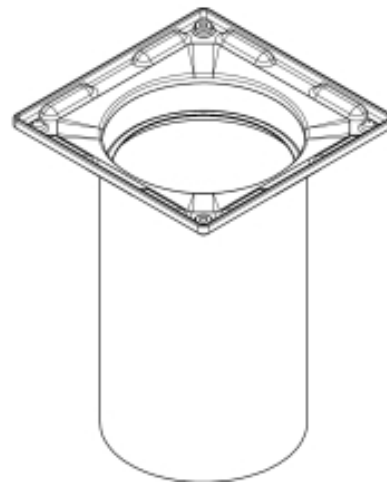
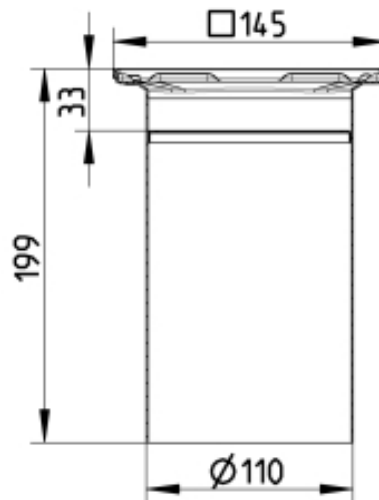
Outlet Diameter (mm): 110

Series: Upper part-No membrane-145

Shape: Square

Type: Upper parts

Weight (kg): 0,80



BLÜCHER®

A **WATTS** Brand