

# Specification Sheet

## 150.000.110 S LOWER PART

- No membrane flange
- Outlet: Ø110mm, vertical
- Stainless steel: AISI316L/EN1.4404

### Product Codes

UPC/EAN: 5705499107104

VVS Number: 153008016

RSK Number:

NRF Number:

LVI Number: 3303756

### Specification

Brand Name: BLÜCHER

Material: AISI 316L

Material (EN): EN 1.4404

Membrane Type: No membrane

Minimum Height (mm): 141

Number of Inlets: 0

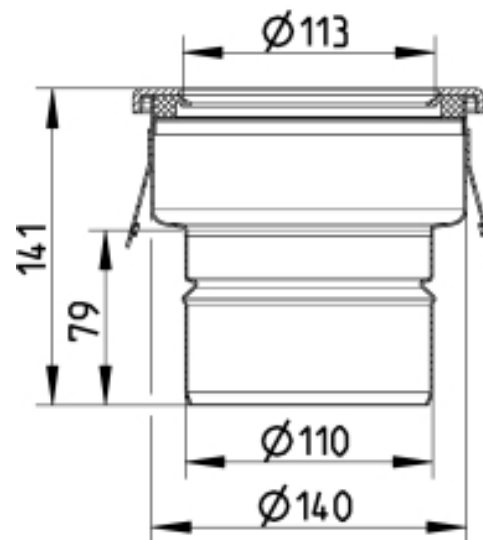
Outlet Diameter (mm): 110

Outlet Direction: Vertical

Series: Lower part-110

Type: Lower parts

Weight (kg): 1,04



**BLÜCHER®**

A **WATTS** Brand