

Specification Sheet

150.000.050 S LOWER PART

- No membrane flange
- Outlet: Ø50mm, vertical
- Stainless steel: AISI316L/EN1.4404

Product Codes

UPC/EAN: 5705499107531

VVS Number:

RSK Number:

NRF Number:

LVI Number:

Specification

Brand Name: BLÜCHER

Material: AISI 316L

Material (EN): EN 1.4404

Minimum Height (mm): 177

Number of Inlets: 0

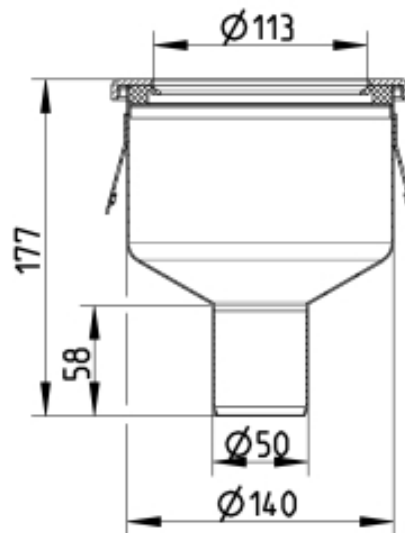
Outlet Diameter (mm): 50

Outlet Direction: Vertical

Series: Lower part-110

Type: Lower parts

Weight (kg): 0,94



BLÜCHER®

A WATTS Brand