

Specification Sheet

111.300.000 S UPPER PART SQUARE

- No supporting ring
- Floor: concrete and tiled
- Frame: 145x145mm
- Stainless steel: AISI316L/EN1.4404

Product Codes

UPC/EAN: 5705499106909

VVS Number:

RSK Number:

NRF Number:

LVI Number:

Specification

Brand Name: BLÜCHER

Floor: Concrete/tiled

Material: AISI 316L

Material (EN): EN 1.4404

Minimum Height (mm): 43

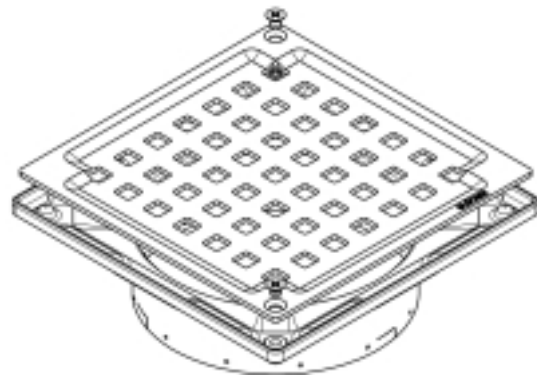
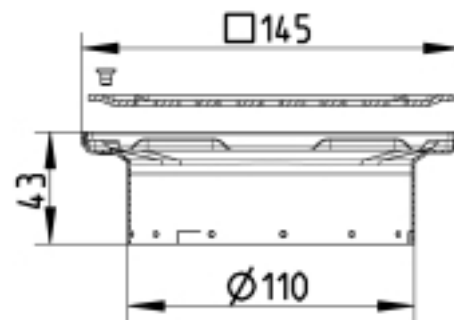
Outlet Diameter (mm): 110

Series: Upper part-No membrane-145

Shape: Square

Type: Upper parts

Weight (kg): 0,60



BLÜCHER®

A WATTS Brand