

Specification Sheet

110.300.000 UPPER PART SQUARE

- No supporting ring
- Floor: concrete and tiled
- Frame: 145x145mm
- Stainless steel: AISI304/EN1.4301

Product Codes

UPC/EAN: 5705499106916

VVS Number: 153327710

RSK Number:

NRF Number:

LVI Number:

Specification

Brand Name: BLÜCHER

Floor: Concrete/tiled

Material: AISI 304

Material (EN): EN 1.4301

Minimum Height (mm): 60

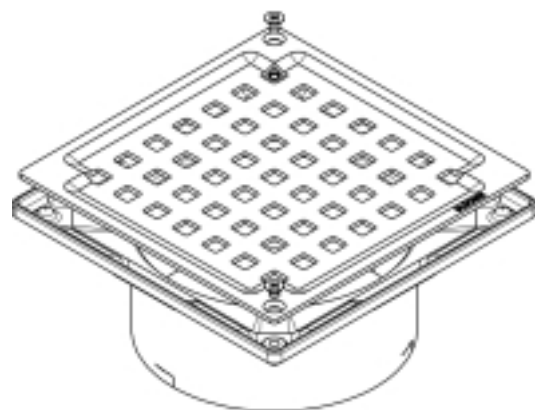
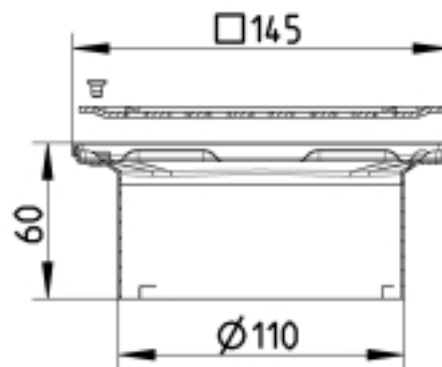
Outlet Diameter (mm): 110

Series: Upper part-No membrane-145

Shape: Square

Type: Upper parts

Weight (kg): 0,50



BLÜCHER[®]

A WATTS Brand