

Specification Sheet

110.000.050 LOWER PART

- No membrane flange
- Outlet: Ø50mm, horizontal
- Stainless steel: AISI304/EN1.4301

Product Codes

UPC/EAN: 5705499126914

VVS Number:

RSK Number:

NRF Number:

LVI Number:

Specification

Brand Name: BLÜCHER

Material: AISI 304

Material (EN): EN 1.4301

Minimum Height (mm): 103

Number of Inlets: 0

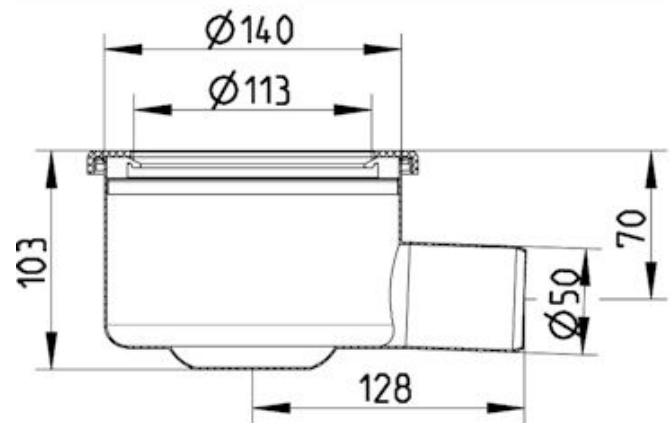
Outlet Diameter (mm): 50

Outlet Direction: Horizontal

Series: Lower part-110

Type: Lower parts

Weight (kg): 0,66



BLÜCHER®

A WATTS Brand