

Specification Sheet

674EK050-00BA CHANNEL 300x5000 END OUTLET

- Floor: concrete, tiled and resin
- Liquid membrane
- Outlet: Ø160mm, vertical
- Stainless steel: AISI304/EN1.4301

Product Codes

UPC/EAN: 5705499131321

VVS Number:

RSK Number:

NRF Number:

LVI Number:

Specification

Brand Name: BLÜCHER

Floor: Concrete/tiled/resin

Material: AISI 304

Material (EN): EN 1.4301

Membrane Type: Liquid membrane

Minimum Height (mm): 200

Outlet Box: No

Outlet Diameter (mm): 160

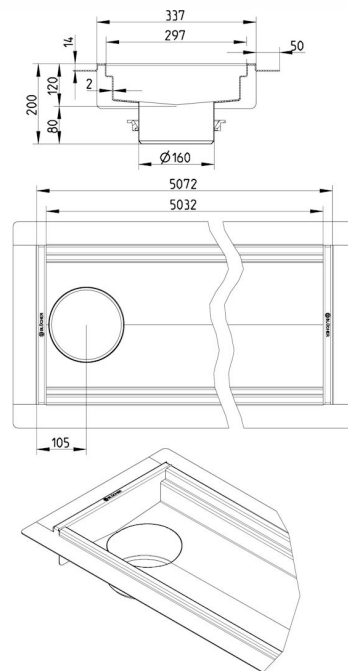
Outlet Direction: Vertical

Outlet Placement: End

Series: Channel-Liquid membrane

Size: 300x5000

Weight (kg): 52,89



BLÜCHER®

A WATTS Brand