

Specification Sheet

763.002.075 LOWER PART

- No membrane flange
- Outlet: Ø75mm, horizontal
- Stainless steel: AISI304/EN1.4301

Product Codes

UPC/EAN: 5705499109825

VVS Number:

RSK Number:

NRF Number: 3396327

LVI Number: 3303765

Specification

Brand Name: BLÜCHER

Material: AISI 304

Material (EN): EN 1.4301

Membrane Type: No membrane

Minimum Height (mm): 212

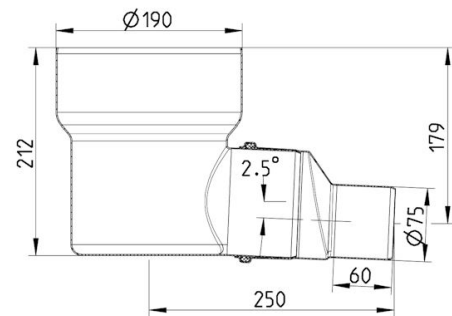
Outlet Diameter (mm): 75

Outlet Direction: Horizontal

Series: Lower part-160

Type: Lower parts

Weight (kg): 2,20



BLÜCHER®

A WATTS Brand