

# Specification Sheet

## 697.200.200.50 SLOT GRATING CHANNEL

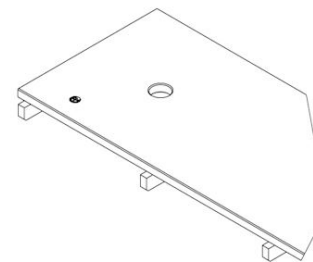
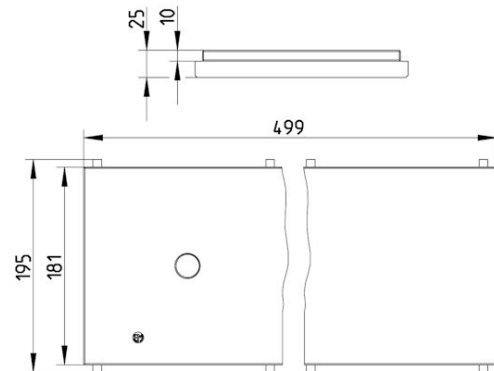
-Grating: 195x499mm  
-Stainless steel: AISI304/EN1.4301

### Product Codes

UPC/EAN: 5705499126884  
VVS Number:  
RSK Number:  
NRF Number: 3397173  
LVI Number:

### Specification

Brand Name: BLÜCHER  
Load Class EN1253 (kg): N250 (20.000)  
Load Class EN1433 (kg): A15 (3.500)  
Material: AISI 304  
Material (EN): EN 1.4301  
Minimum Height (mm): 25  
Non-slip: R10  
Series: Grating-Channel-200  
Shape: Rectangular  
Size: 200x500  
Type: Gratings  
Weight (kg): 7,50



**BLÜCHER®**

A WATTS Brand