

676CC050-00EF S HYGIENICPRO CHANNEL 150x5000 END OUTLET

- High model. With outlet box
- Floor: concrete, tiled and resin
- No membrane
- Outlet: Ø110mm, vertical
- Stainless steel: AISI316L/EN1.4404

Product Codes

UPC/EAN: 5705499136500

VVS Number:

RSK Number:

NRF Number:

LVI Number: 3305656

Specification

Brand Name: BLÜCHER

Floor: Concrete/tiled/resin

Material: AISI 316L

Material (EN): EN 1.4404

Membrane Type: No membrane

Minimum Height (mm): 565

Outlet Box: Yes

Outlet Diameter (mm): 110

Outlet Direction: Vertical

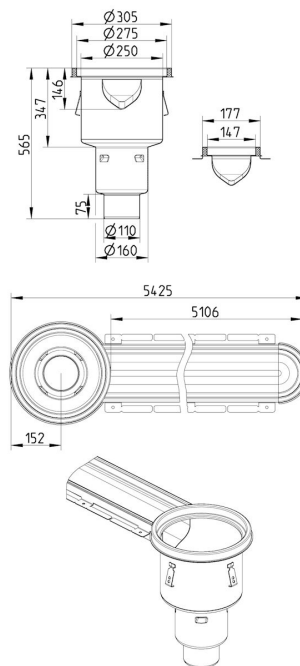
Outlet Placement: End

Series: Channel-No membrane

Size: 150x5000

Type: Channels

Weight (kg): 41,95



BLÜCHER®

A WATTS Brand