

Specification Sheet

676CC050-00CF HYGIENICPRO CHANNEL 150x5000 END OUTLET

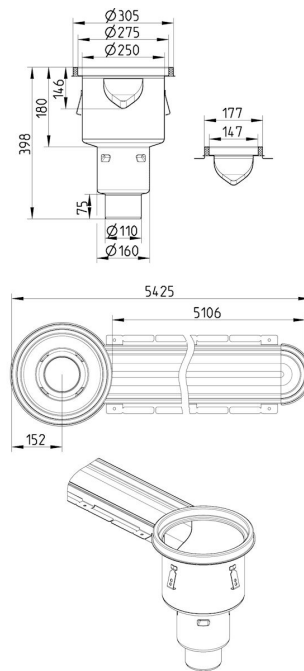
- Low model. With outlet box
- Floor: concrete, tiled and resin
- No membrane
- Outlet: Ø110mm, vertical
- Stainless steel: AISI304/EN1.4301

Product Codes

UPC/EAN: 5705499136456
VVS Number: 221800050
RSK Number:
NRF Number:
LVI Number: 3305651

Specification

Brand Name: BLÜCHER
Floor: Concrete/tiled/resin
Material: AISI 304
Material (EN): EN 1.4301
Membrane Type: No membrane
Minimum Height (mm): 398
Outlet Box: Yes
Outlet Diameter (mm): 110
Outlet Direction: Vertical
Outlet Placement: End
Series: Channel-No membrane
Size: 150x5000
Type: Channels
Weight (kg): 40,40



BLÜCHER®

A WATTS Brand