

# Specification Sheet

## 503.001.110 REMOVABLE WATER TRAP WITH ODOUR STOP

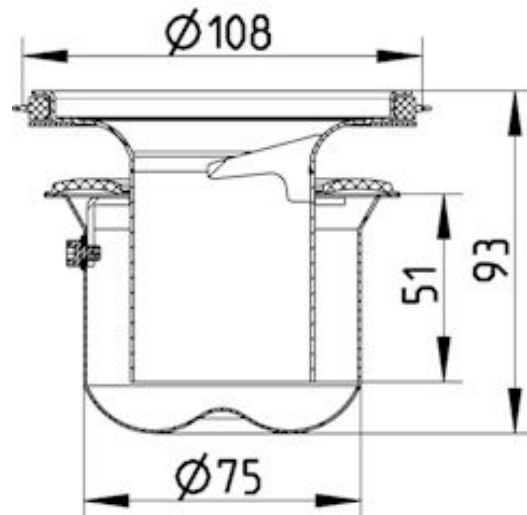
-Water seal height = 51mm  
-Stainless steel: AISI304/EN1.4301

### Product Codes

UPC/EAN: 5705499134728  
VVS Number: 153415546  
RSK Number: 7120299  
NRF Number: 3394665  
LVI Number: 3304911

### Specification

Brand Name: BLÜCHER  
Material: AISI 304  
Material (EN): EN 1.4301  
Max Flow (l/s): 1.3  
Minimum Height (mm): 93  
Outlet Diameter (mm): 108  
Series: Water trap-110  
Type: Traps  
Water Seal Height (mm): 51  
Weight (kg): 0,37



**BLÜCHER®**

A WATTS Brand