

Specification Sheet

502.052.110 REMOVABLE WATER TRAP

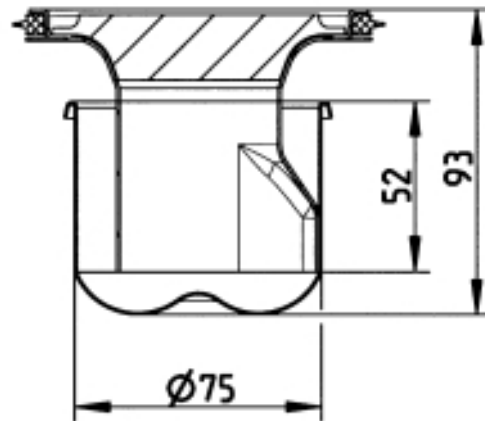
-Water seal height = 52mm
-Stainless steel: AISI304/EN1.4301

Product Codes

UPC/EAN: 5705499105582
VVS Number: 153415526
RSK Number: 7119277
NRF Number: 3394756
LVI Number: 3304013

Specification

Brand Name: BLÜCHER
Material: AISI 304
Material (EN): EN 1.4301
Max Flow (l/s): 1.3
Minimum Height (mm): 93
Outlet Diameter (mm): 108
Series: Water trap-110
Type: Traps
Water Seal Height (mm): 52
Weight (kg): 0,33



BLÜCHER®

A **WATTS** Brand