

## 502.050.110 REMOVABLE TWO-PART WATER TRAP

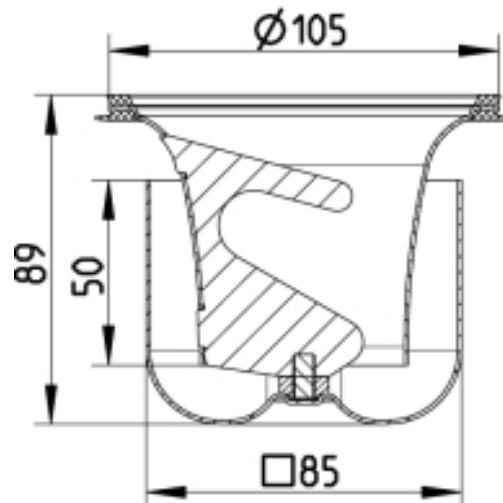
-Water seal height = 50mm  
-Stainless steel: AISI304/EN1.4301

### Product Codes

UPC/EAN: 5705499124064  
VVS Number: 153416516  
RSK Number: 7122025  
NRF Number: 3394898  
LVI Number: 3303887

### Specification

Brand Name: BLÜCHER  
Material: AISI 304  
Material (EN): EN 1.4301  
Max Flow (l/s): 1.7  
Minimum Height (mm): 89  
Outlet Diameter (mm): 108  
Series: Water trap-110  
Type: Traps  
Water Seal Height (mm): 50  
Weight (kg): 0,36



**BLÜCHER**<sup>®</sup>

A **WATTS** Brand