

Specification Sheet

110.000.075 LOWER PART

- No membrane flange
- Outlet: Ø75mm, horizontal
- Stainless steel: AISI304/EN1.4301

Product Codes

UPC/EAN: 5705499107036

VVS Number:

RSK Number: 7121867

NRF Number: 3396344

LVI Number: 3303751

Specification

Brand Name: BLÜCHER

Material: AISI 304

Material (EN): EN 1.4301

Membrane Type: No membrane

Minimum Height (mm): 103

Number of Inlets: 0

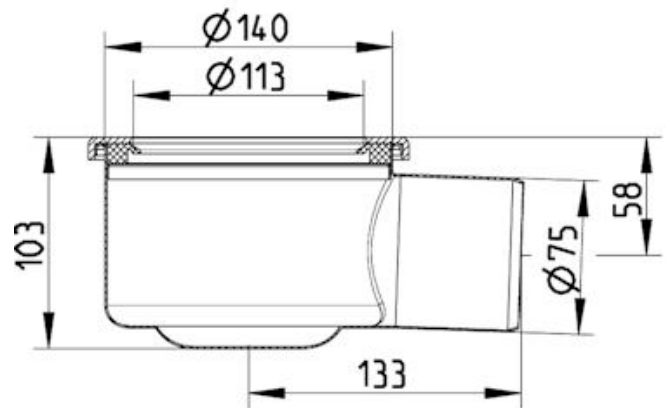
Outlet Diameter (mm): 75

Outlet Direction: Horizontal

Series: Lower part-110

Type: Lower parts

Weight (kg): 1,12



BLÜCHER®

A WATTS Brand