

Enware-Delabie Tempomix Basin Mixer - Push Button

Easy to use, lever activated time flow basin tap with auto shut-off helps to save water by minimising wastage. Auto shut-off ensures tap is turned off after use.

TFC795100

FEATURES

- Push button activation
- Push button can be rotated to adjust temperature from cold to warm/hot
- Hygienic no-touch auto shut-off
- 15 seconds* flow time
- WELS 6 Star 5.0 litres per minute supplied standard
- Vandal resistant, chrome plated solid brass construction
- Dual fixing points for anti-rotation
- Stainless steel flexible connectors
- Adjustable temperature limiter function can limit maximum hot handle position
- Internal flow rate adjustment mechanism

*Flow times are indicative only and may vary depending on water supply pressure and flow conditions.



Product Codes

TFC795100 Push Button Basin Mixer - 15 seconds* flow



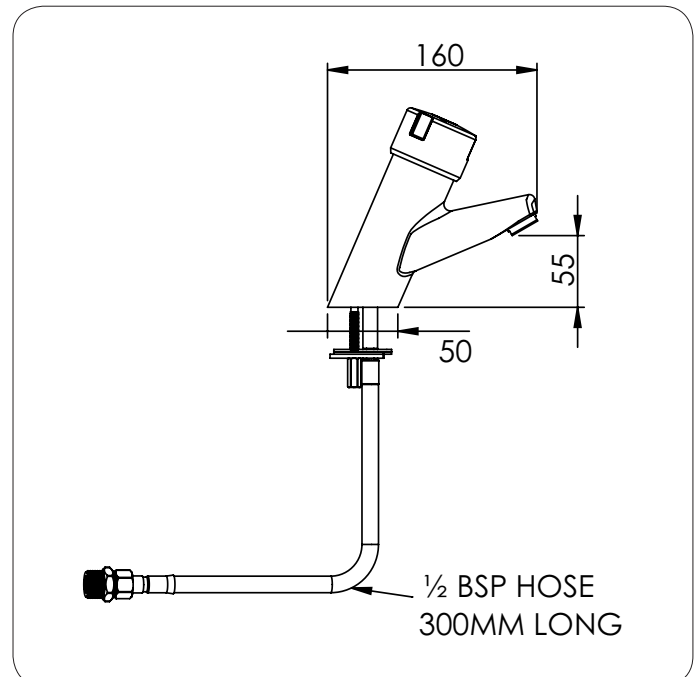
Technical Information

Inlet Connection	15mm ½" BSP
Maximum Testing Pressure	1000 kPa
Maximum Working Pressure	500 kPa **
Recommended Pressure	250 - 300 kPa
Maximum Water Temperature	70°C**
Operating Force	22N @ 300 kPa

**Enware products are to be installed in accordance with the Plumbing Code of Australia and AS/NZS3500.

Reference should also be made to the Australasian Health facility Guidelines (AHFG), ABCB and Local Government regulations when considering the choice of, and the installation of these products.

NOTE: Enware Australia advises: 1. Due to ongoing Research and Development, specifications may change without notice. 2. Component specifications may change on some export models.



Version: Apr 19

Call 1300 369 273
www.enware.com.au

Enware Australia Pty Limited
9 Endeavour Rd Caringbah NSW 2229 Australia
Ph: 02 8536 4000 info@enware.com.au

