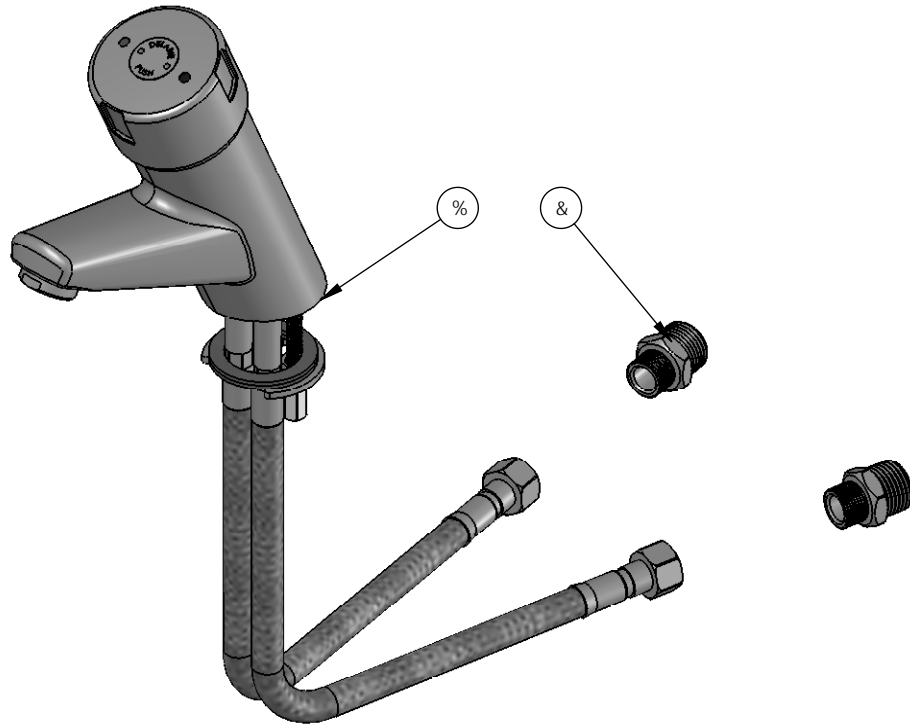


F9J	85H9	7 B	5A A 9B8A 9BHG	5 DD	: 9B 9F5@BCH9G : F9A C J 95@6l FFG5B8 : G-5FD 98: 9GI B@GG : C H: 9FK 49 GH5H98 : 8 A 9B GC BG5F9-B a a f HC @F5B7 99L7 9DHK < 9F9GH5H98. BC '897 A 5@DC -BH'.....<math>\frac{1}{2}</math>' \$"& C B9897 A 5@D@57 9.....<math>\frac{1}{2}</math>' \$"% HK C 897 A 5@D@57 9G.....<math>\frac{1}{2}</math>' \$*\$) 5B: @G.....<math>\frac{1}{2}</math>' % 9BK 5F9F99FJ 9GH: 9F@ < HHC '5A 9B8 DFC 8I 7 W Q97 @ 7 5HC BG5B8 89@: BGK H: C I HBC H7 9'	8F5K B ?B - '9bXYUj ci fFXZ 7 < 97 798 PK 7 Ufj b[ VU\ ZBGK Z&&&- D\ "' *9&(-) & ) L - ) %% : UI "' *9&(-) & ( ! , & % HH@: HA 98 : @C K 'HRA DC A L '65 GB A L 9F %' G97 GWUY . BchH: GWUY A 5H9F 5@ : B G<. HjgXfUk bl jghY 7 cdfj\ \hcZ 9bk UY 5i gfu Jj Dm@X UbX a Um bc hVY fY d fCXl WX j z ' cfdUth k hci hAY k fHY b Vebg/bhcZ 9bk UY 5i gfu Jj Dm@X 8K : BC" G: 99H%C : & H 7 +- ) %\$\$
5	&&#&\$&#&\$+		: FGHGG 9			



#H A BC "	D5FHB1 A 69F	8 9G7 F-DHC B	E HM
%	*+%) (-	H 7 +- ) %\$\$ H9A DC A 65 GB	%
&	*+& *	B-DD@9 < 9L %&A L ' # A 'B7 < 6F	&



F9J	85H9	7 B	5A A 9B8A 9BH G	5 DD
5	&&#\$&#\$+		: FCHGG 9	

: 9B 9F5@BCH9G  
 : F9A C J 95@6l FFG5B8  
 : G-5FD 98: 9G1 B@GG  
 : C H: 9FK 69 GH5H98  
 : 8 A 9B GC BG5F9-B a a fū  
 HC @F5B7 99L7 9DHK < 9F9GH5H98 :  
 BC 897 A 5@DC BH ..... 2/3 "\$&  
 C B9897 A 5@D@579 ..... 2/3 "\$%  
 HK C 897 A 5@D@579G ..... 2/3 "\$\$)  
 5B: @G ..... 2/3 %  
 9BK 5F9F99FJ 9GH: 9F+ <HHC 5A 9B8 DFC 81 7  
 Q97 + 75HC BG5B8 89G+ BGK #C1 HBC H7 9

8F5K B	?B	- 9bXYUj ci fFX2 7 Ufj b[ VU\zB GK z&&- D\ " * 9& l - ) & ) l - ) %& : UI " * 9& l - ) & ( ! , ( & %	
7 < 97 798			
5DDFC J 98			

HH9: HA 98 : @C K 'H9A DC A 65 GB A 65 9F %' G97  
 GWJ.Y .BchH: GWJ.Y  
 A 5H9F 5@  
 : B G<.  
 H j g X f U k b l j g h Y 7 c d m f j \ h c Z  
 9b k U Y 5 i g f U j U D m e X U b X a U m  
 b c h V Y f r d f c X i W X j p z i c f d U h  
 k h c i h h Y k f h V b V e b g f b h c Z  
 9b k U Y 5 i g f U j U D m e X

8K : BC "  
 G< 99H & C : &  
**H 7 +- ) %\$\$**