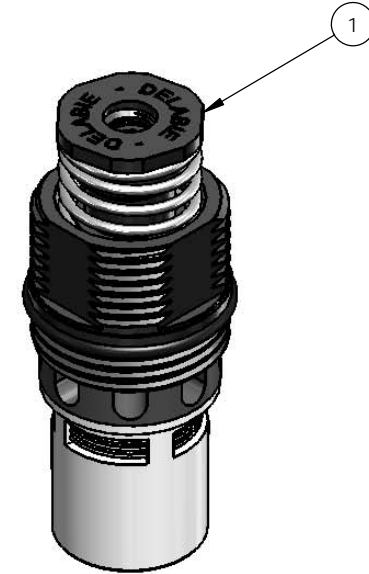
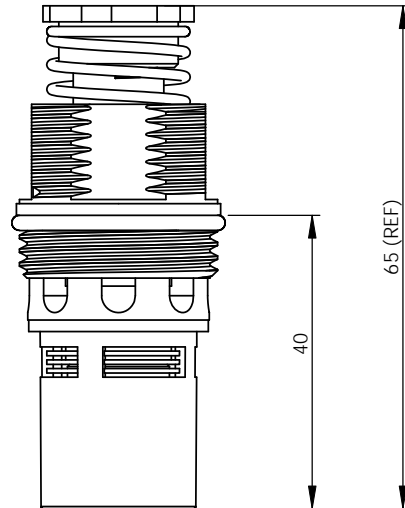
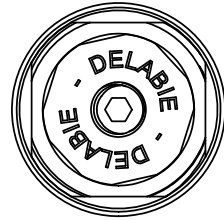


ITEM NO.	PART NUMBER	DESCRIPTION	QTY.
1	671534	TFC 743310 TEMPOSTOP CARTRIDGE COMPLETE	1



REV	DATE	CN	AMMENDMENTS	MODIFIED BY
A	27/02/06		FIRST ISSUE	
B	20/10/06		REDRAWN AND RE ASSEMBLE	KN
C	12/03/09		REDRAWN	KN

GENERAL NOTES:
 REMOVE ALL BURRS AND SHARP EDGES UNLESS OTHERWISE STATED
 DIMENSIONS ARE IN mm's

TOLERANCE EXCEPT WHERE STATED:

NO DECIMAL POINT / 0.2
 ONE DECIMAL PLACE / 0.1
 TWO DECIMAL PLACES / 0.05
 ANGLES / 1

ENWARE RESERVES THE RIGHT TO AMEND PRODUCT SPECIFICATIONS AND DESIGNS WITHOUT NOTICE.

DRAWN	AC	9 Endeavour Rd, Caringbah, NSW, 2229 Ph. 61-2-9525-9511 Fax. 61-2-9524-8421	
CHECKED			
APPROVED			
TITLE: TIMED FLOW CARTRIDGE (REP 734/735)			
15 SECONDS			
Scale: Not To Scale		Scale: Not To Scale	
MATERIAL:			
FINISH:			
This drawing is the Copyright of Enware Australia Pty Ltd and may not be reproduced in full or part without the written consent of Enware Australia Pty Ltd		DWG NO.	SHEET 1 OF 1
		TFC791	