

Enware-Delabie Tempomix Shower Mixer - Recessed

TFC790925

The Tempomix shower mixers when operated provides a 30 second* automatic shut-off delay with the added benefit of temperature control. With an easy push button activation, the temperature is adjustable by rotating the control knob. Designed to comply with intensive use in public areas with a high resistance to vandalism.

FEATURES

- Easy push button activation
- Automatic shut-off delay 30 seconds (-10/+5 sec)*
- Coverplate is without exposed screws providing a high resistance to vandalism
- User temperature control: simply rotate button to increase or decrease temperature

* Times are indicative only and may vary depending on the water supply pressure and flow conditions

OPTIONS

Shower heads to suit available.

Enware-Delabie Tonic Jet Vandal Resistant Shower Head **TFC712000**

School Pattern Shower Outlet **VP310**



Product Codes

TFC790925 Tempomix Shower Mixer - Recessed

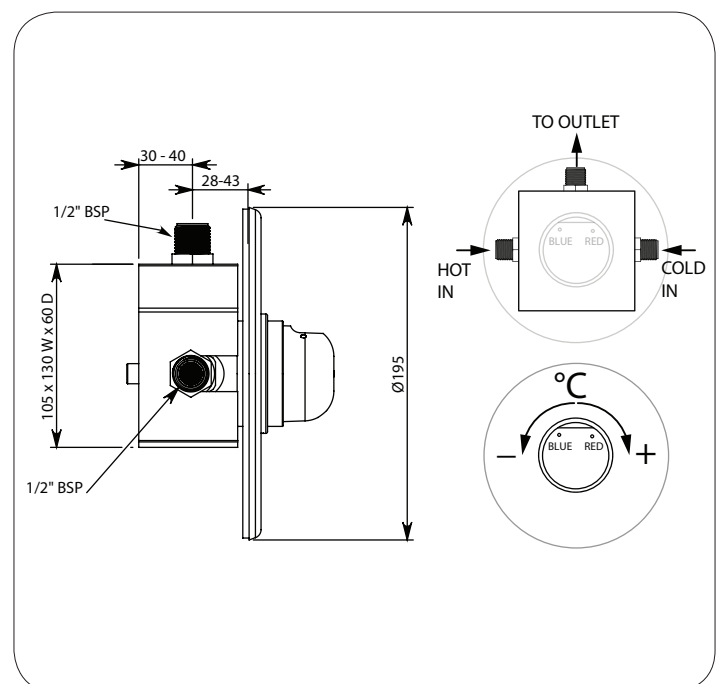


Technical Information

Inlet Connection	15mm 1/2" BSP
Maximum Testing Pressure	1000 kPa
Maximum Working Pressure	500 kPa **
Recommended Pressure	250 - 300 kPa
Maximum Water Temperature	70°C**
Operating Force	22N @ 300 kPa

**Enware products are to be installed in accordance with the Plumbing Code of Australia and AS/NZS3500. Reference should also be made to the Australasian Health facility Guidelines (AHFG), ABCB and Local Government regulations when considering the choice of, and the installation of these products.

NOTE: Enware Australia advises: 1. Due to ongoing Research and Development, specifications may change without notice. 2. Component specifications may change on some export models.



Version: Aug 19

Call 1300 369 273
www.enware.com.au

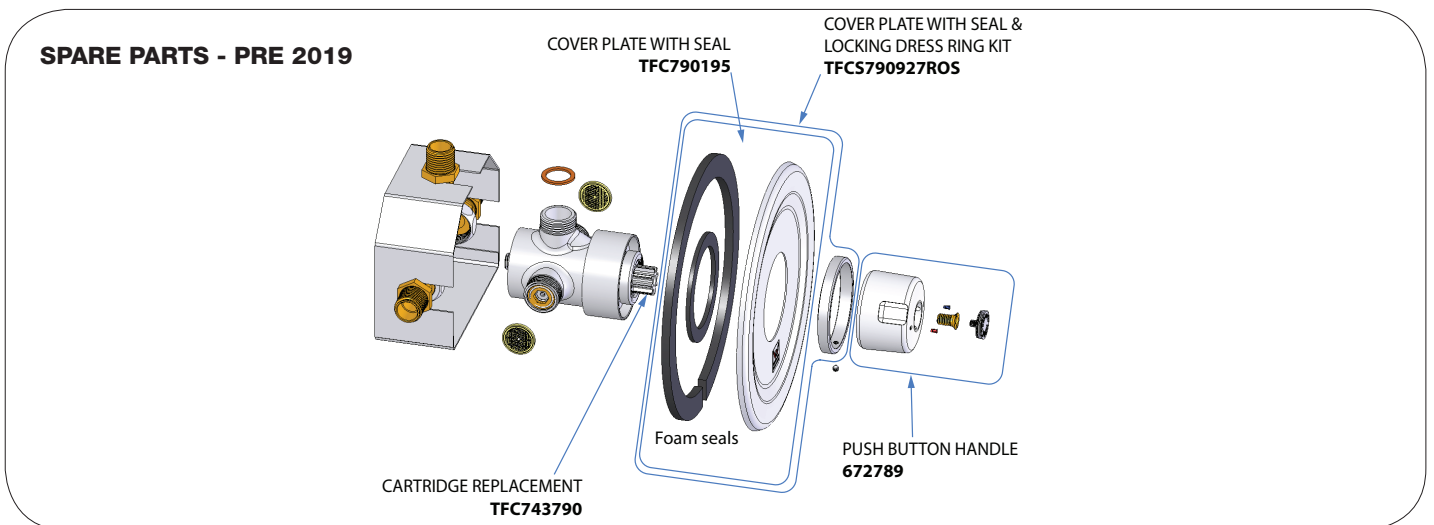
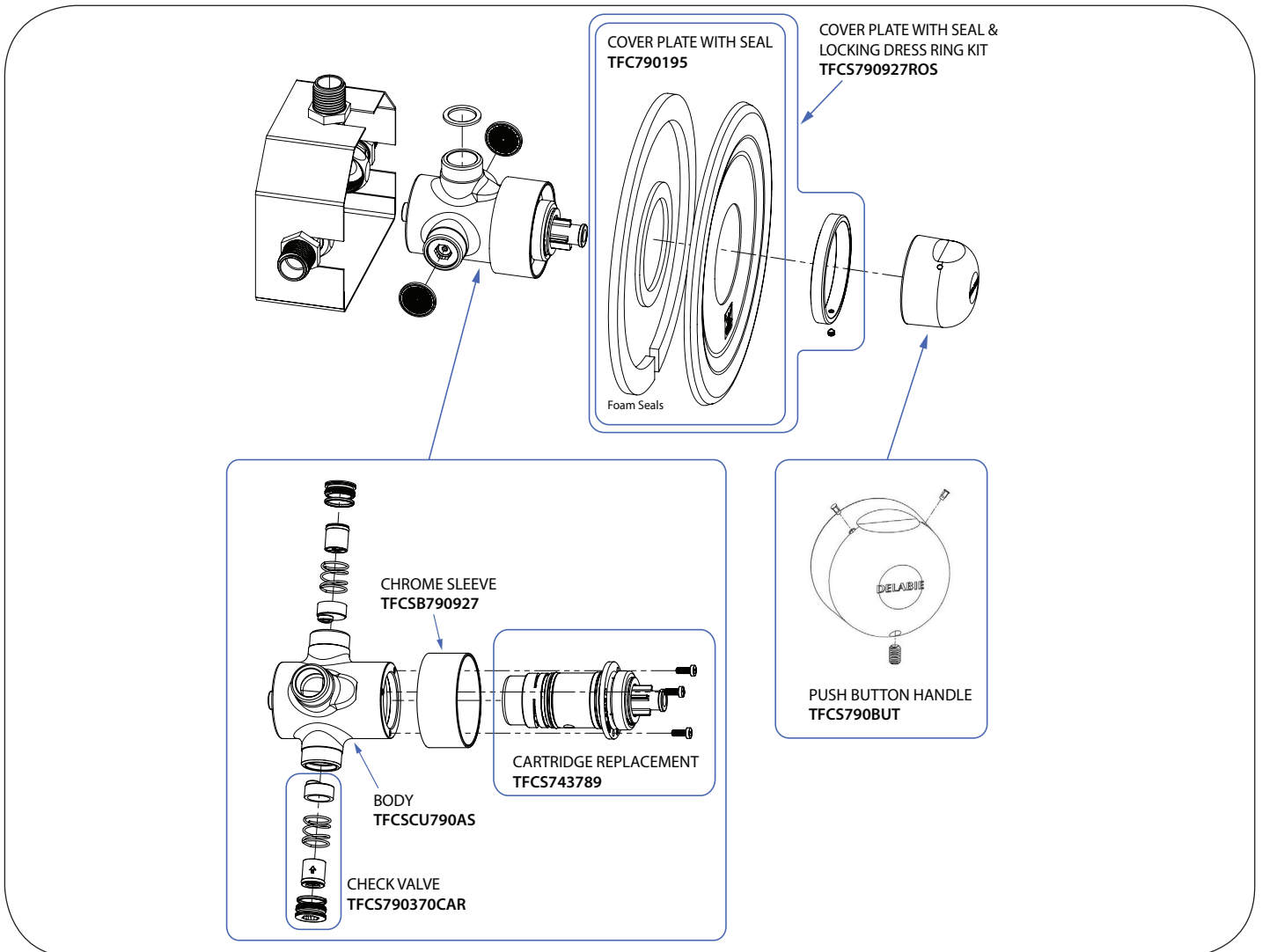
Enware Australia Pty Limited
9 Endeavour Rd Caringbah NSW 2229 Australia
Ph: 02 8536 4000 info@enware.com.au



Enware-Delabie Tempomix Shower Mixer - Recessed

SPARE PARTS

TFC790925



Version: Aug 19

Call 1300 369 273
www.enware.com.au

Enware Australia Pty Limited
 9 Endeavour Rd Caringbah NSW 2229 Australia
 Ph: 02 8536 4000 info@enware.com.au

