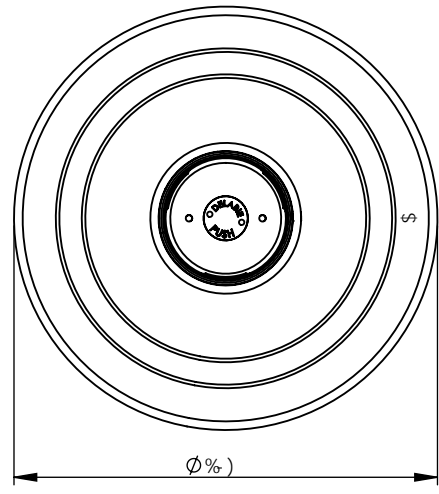
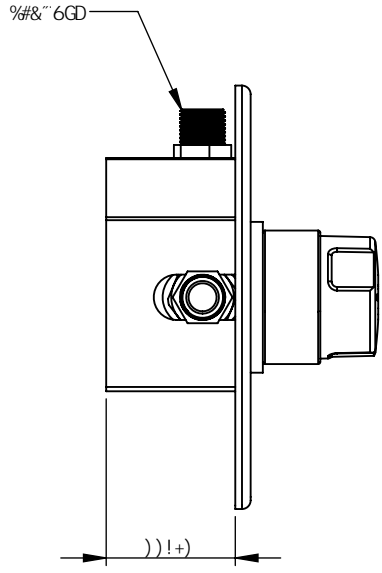
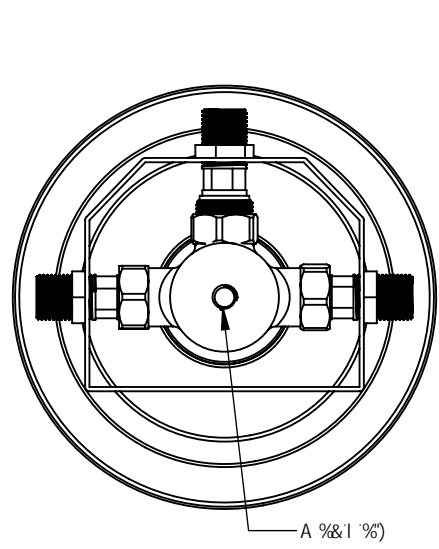
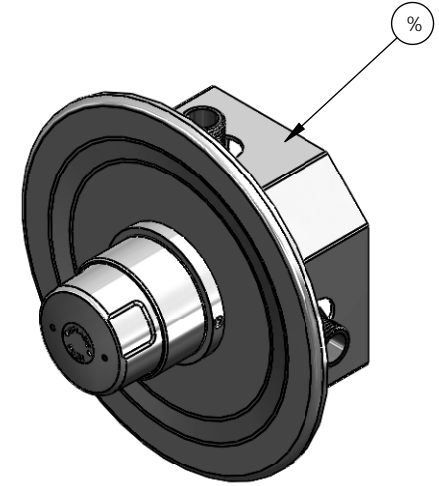
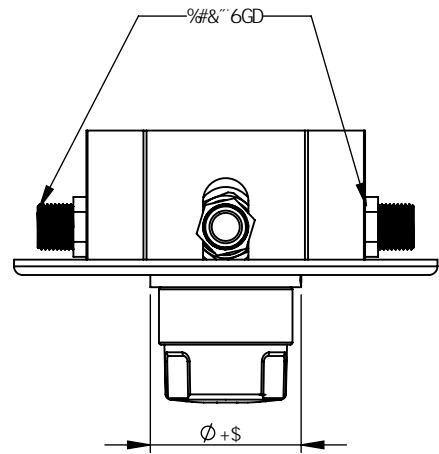
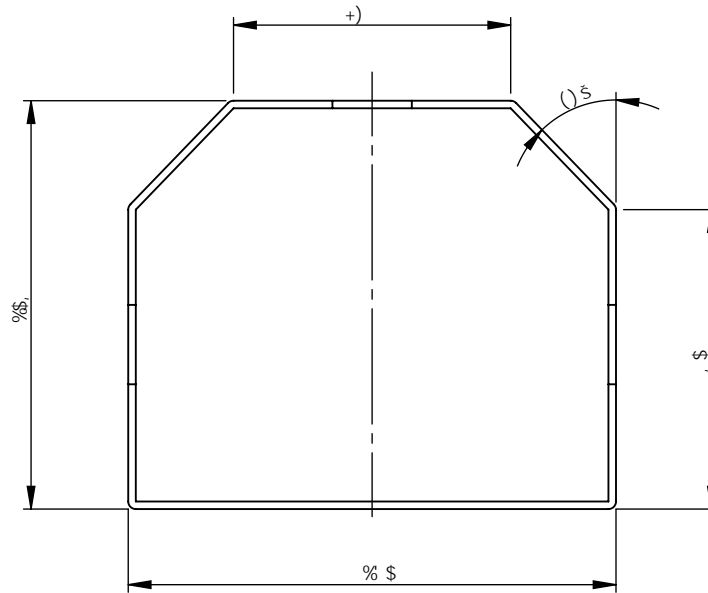
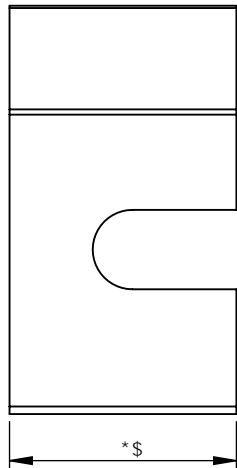
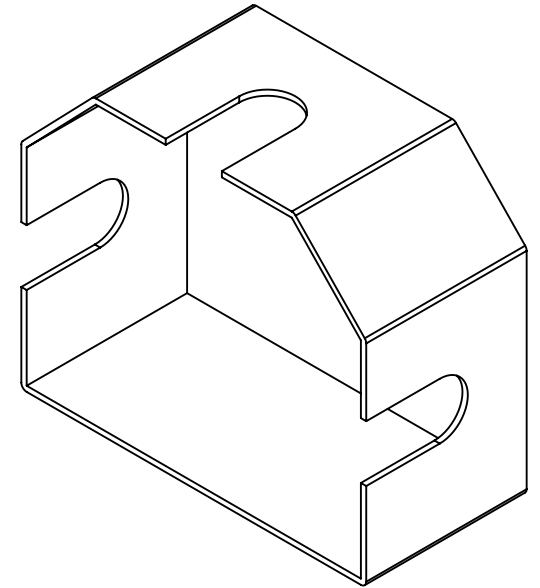
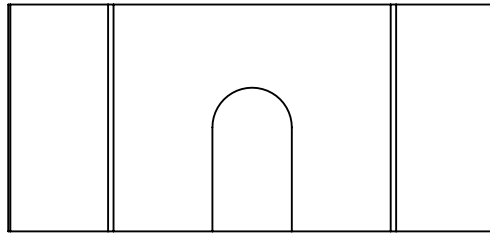


#DA 'BC "	D5FHBI A 69F	8 9G7 F-DHC B	E HM
%	*+&+\$'	HDA DC A ± 'G<C K 9F 'A ± 9F '+- \$- &)' 5G	%



F9J	85H9	7B	5A A 9B8A 9BHG	AC 8 ÷ 98 6M	9B 9F5@BCHG F9A C J 95 @6l FFG5B8 G<5FD 98: 9G1 B @9G C H: 9FK @9 GH5H98 8 A 9BGC BG5F9-B a a fū HC @F5B7 9 9L 7 9DHK <9F9GH5H8. BC 897 A 5@DC BH'..... / \$"& CB9897 A 5@D@579..... / \$% HK C 897 A 5@D@579G..... / \$'\$) 5B: @9G..... / % 9BK 5F9F99FJ 9GH: 9F ÷ -HIC 5A 9B8 DFC8I 7H Q97 ÷ ÷ 5HC BG5B8 89 ÷ BGK #C I HBC H 9'	8F5K B GA - 9bXYUj ci fFXZ 7 <97 798 U fjb[VU\zBGK z&&&- D\''*9&I-) &I-) %%% 5DDFC J 98 : UI''*9&I-) &(!, (&%		
5	% \$ (# \$,		: FGH-GG 9		HH@: HDA DC A ± 'F97 9GG98 G<C K 9F 'A ± 9F			
6	\$' # \$ + # \$		B GH5 @5 HC B '6F 57 ? 9H8 9H5 @5 88 98 Z' % &' 6GD' 5 85 DHC F ' 5 88 98	GA	GWU.Y .BchH: GWU.Y A 5H9F 5@ : B G<. 7 <FCA 9'D@5H98 HjgXfUk bl' jghY 7 cdmfj \hcZ 9bk UY 5i gfu jU Dtm@X UbX a Um bc hVY fY dFCXl WX jz a 'cfdUth k hci hAY k fHW b Vebg/bhcZ 9bk UY 5i gfu jU Dtm@X			
					BK : 'BC "		G<99H% C : &	
					H 7 +- \$- &)			



F9J	85H9	7B	5A 9B8A 9BHG	A C 8 ÷ 98 6M	9B 9F5@BCHG F9A C J 95@6l FFG5B8 G<5FD 98: 9G1 B@9GG C H: 9FK @9 GH5H98 8 A 9BGC BG5F9 B a a 9 HC@F5B799L79DHK <9F9GH5H8. BC 897 A 5@DC BH.....%& CB9897 A 5@D@579.....%\$ HK C 897 A 5@D@579G.....%\$) 5B: @G.....% 9BK 5F9F99FJ 9GH: 9F ÷ <HC 5A 9B8 DFC 8l 7H Q97 ÷ 7 5HC BG5B8 89G: BGK #C1 HBC H7 9	8F5K B GA - 9bXYUj ci fFXZ 7 <97 798 7 Ufj b[VU\ZBGK Z&&&- D\ "" *9&l-) &l-) %%% 5DDFC J 98 : UI "" *9&l-) &l) (, &%	ENWARE AUSTRALIA PTY LIMITED
5	%* #\$(#\$,		: FGHGGI 9			HH@. B GH5 @@5 HC B '6F5 7 ? 9H8 9H5 @	
6	\$' #S+ #/6\$		B GH5 @@5 HC B '6F5 7 ? 9H8 9H5 @5 8 8 98 Z%#&"" 6GD 5 8 5 DHC F '5 8 8 98	GA		GWJ.Y .BchH: GWJY A 5H9F 5@ &A A 'GG : B G<.	
						HjgXfUk bl jghY 7 cdmfj \hcZ 9bk UY 5i gfu jU Dtm@X UbX a Um bc hVY f d fCXl WX jz a c f dUth k hci hAY k fHY b Vebg/bhcZ 9bk UY 5i gfu jU Dtm@X	8K : BC" G<99H&C : &
						H 7 +- \$- &)	