

Enware-Delabie Tempostop Shower Valve 30 - Exposed

The Tempostop shower valve has an easy push button activation with a 30 second automatic shut-off. This single temperature valve has a high resistance to vandalism and is specially designed to comply with intensive use in public areas. Ideal for applications with intensive use such as public amenities, sports complexes and schools.

TFC749

FEATURES

- Push button activation
- 30 second* flow time
- Vandal resistant, chrome plated solid brass construction

*Flow times are indicative only and may vary depending on water supply pressure and flow conditions.



Product Codes

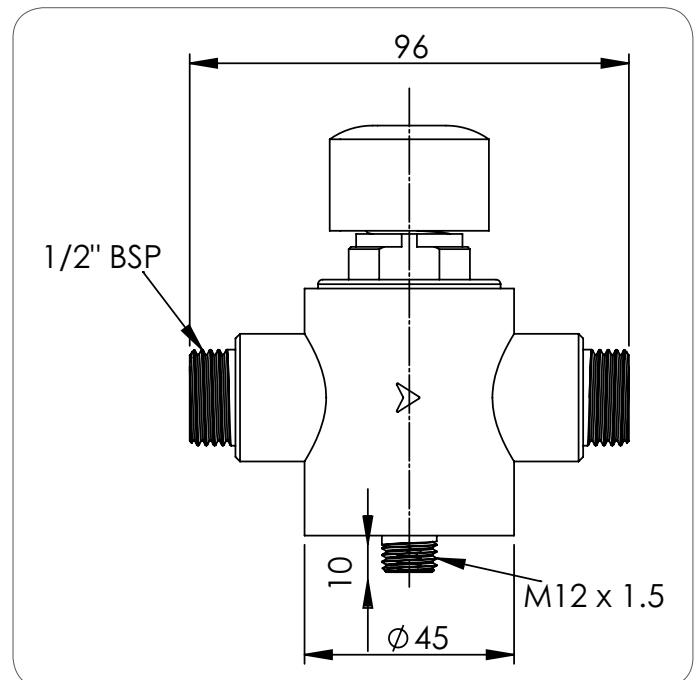
TFC749 Tempostop Shower Valve 30 - Exposed

Technical Information

Inlet Connection	15mm 1/2" BSP
Maximum Testing Pressure	1000 kPa
Maximum Working Pressure	500 kPa **
Recommended Pressure	250 - 300 kPa
Maximum Water Temperature	70°C**
Operating Force	22N @ 300 kPa

**Enware products are to be installed in accordance with the Plumbing Code of Australia and AS/NZS3500. Reference should also be made to the Australasian Health facility Guidelines (AHFG), ABCB and Local Government regulations when considering the choice of, and the installation of these products.

NOTE: Enware Australia advises: 1. Due to ongoing Research and Development, specifications may change without notice. 2. Component specifications may change on some export models.



Version: Apr 19

Call 1300 369 273
www.enware.com.au

Enware Australia Pty Limited
9 Endeavour Rd Caringbah NSW 2229 Australia
Ph: 02 8536 4000 info@enware.com.au

