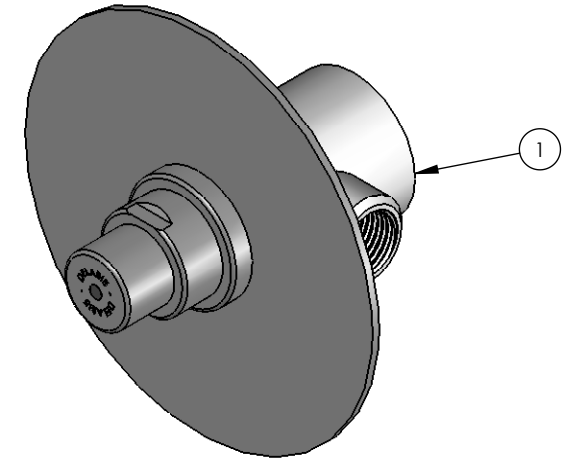
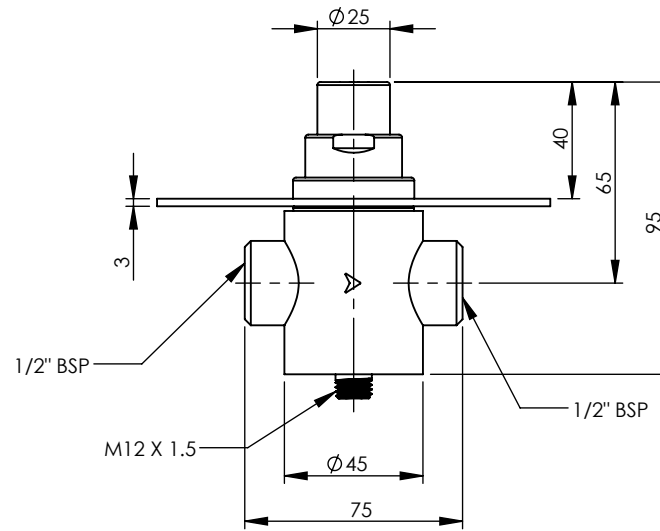
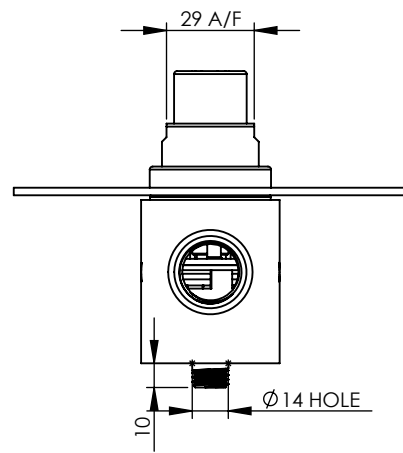
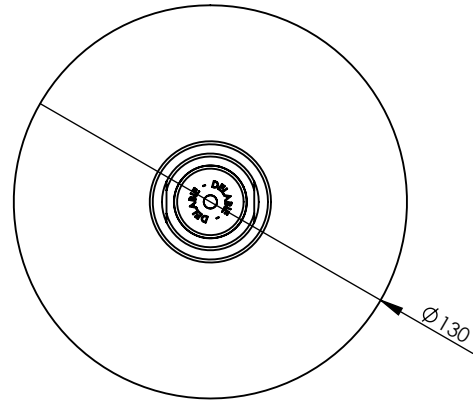


ITEM NO.	PART NUMBER	DESCRIPTION	QTY.
1	672690	TFC749128 TEMPO FF1/2 REC SHWR VALVE ADJ	1



REV	DATE	CN	AMMENDMENTS	APP
A	19/10/06		FIRST ISSUE	
B	17/04/07		DISC ADDED	

GENERAL NOTES:  
 REMOVE ALL BURRS AND SHARP EDGES UNLESS OTHERWISE STATED  
 DIMENSIONS ARE IN mm's  
 TOLERANCE EXCEPT WHERE STATED:  
 NO DECIMAL POINT  $\pm 0.2$   
 ONE DECIMAL PLACE  $\pm 0.1$   
 TWO DECIMAL PLACES  $\pm 0.05$   
 ANGLES  $\pm 1$

ENWARE RESERVES THE RIGHT TO AMEND PRODUCT SPECIFICATIONS AND DESIGNS WITHOUT NOTICE.

DRAWN	KN	9 Endeavour Rd, Caringbah, NSW, 2229 Ph. 61-2-9525-9511 Fax. 61-2-9524-8421	
CHECKED	PK		
APPROVED			
TITLE: TF RECESS SHOWER CONTROL 30 SEC			
Scale: Not To Scale		Scale: Not To Scale	
MATERIAL:			
FINISH:			
This drawing is the Copyright of Enware Australia Pty Ltd and may not be reproduced in full or part without the written consent of Enware Australia Pty Ltd		DWG NO.	SHEET 1 OF 1
		TFC749128	