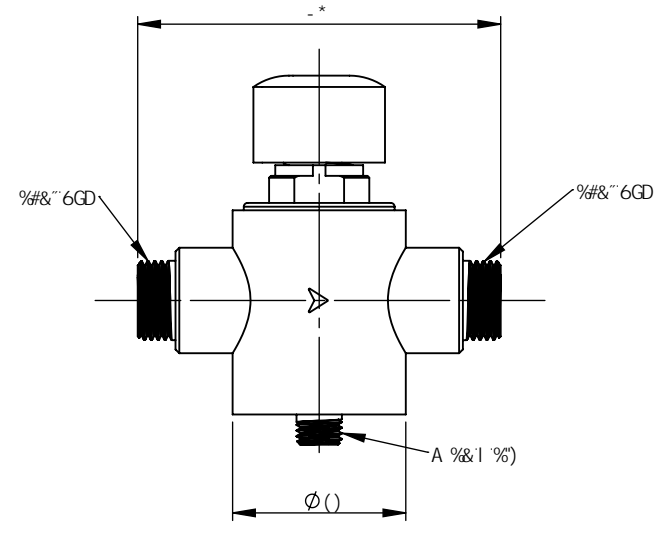
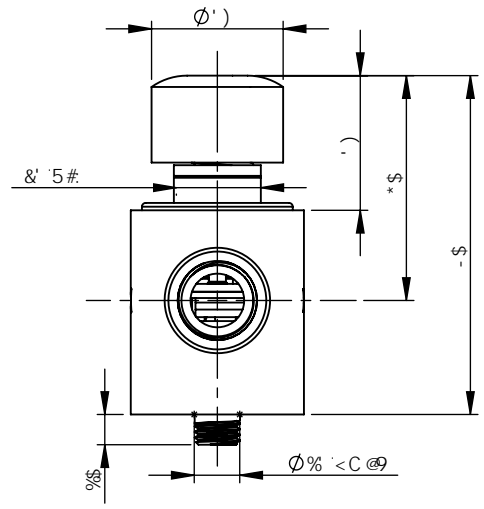
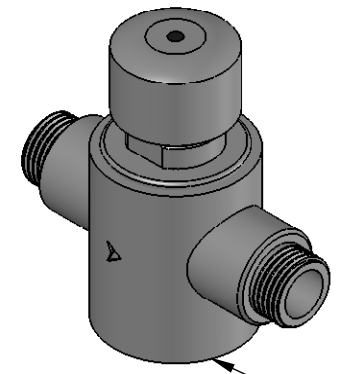
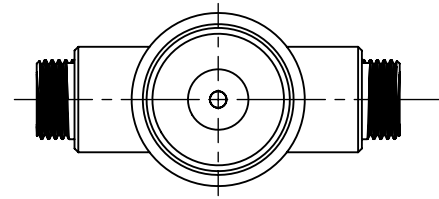


#A BC "	D5FHBI A 69F	89G7 F-DHC B	E HM
%	*%() )	H 7 +(-+&)'H9A DC A A %&&9LDG<K F J 5@ 9'58>	%



F9J	85H9	7 B	5A A 9B8A 9BHG	5 DD
5	% #%\$#*\$		: FGH-GG 9	

: 9B 9F5@BCH9G  
 : F9A C J 95@6l FFG5B8  
 : G<5FD 98: 9G1 B @GG  
 : C H: 9FK 49 GH5H98  
 : 8 A 9B GC BG5F9-B a a f  
 HC @F5B7 99L7 9DHK <9F9GH5H98:  
 BC 897 A 5@DC -BH'.....<math>\frac{1}{2}</math> '\$&  
 C B9897 A 5@D@57 9.....<math>\frac{1}{2}</math> '\$%  
 HK C 897 A 5@D@57 9G.....<math>\frac{1}{2}</math> '\$\$)  
 5B: @G.....<math>\frac{1}{2}</math> %  
 9BK 5F9F99FJ 9GH: 9F@ <HHC 5A 9B8 DFC 81 7  
 Q97 @ 7 5HC BG5B8 89@: BGK #C: I HBC H7 9'

8F5K B	?B	- '9bXYUj ci fFXZ	
7 <97 798	PK	7 Ufjpb[ VU\zBGK z&&&- D\''*9&l-) &l-) %& : UI''*9&l-) &l,) (&%	
5DDFC J 98			

HH@: H '9LDC G98 'G<C K 9F '7 C B HFC @' \$ G97  
 GWUY .BchH: GWUY  
 A 5H9F 5@  
 : B G<.  
 H jgXfUk bl jghY 7 cdfj\ hcZ  
 9bk UY 5i gfu jU Dtm@X UbX a Um  
 bc hVY fY dFCXl WX jz ' cfdUth  
 k hci hAY k fHY b Vebg/bhcZ  
 9bk UY 5i gfu jU Dtm@X

8K : BC "  
 G<99H%C : %  
**H 7 +(-**