

# Enware-Delabie Tempostop Time Flow Basin Pillar Tap - Push Button

Easy to use, push button activated time flow basin tap with auto shut-off helps to save water by minimising wastage. Auto shut-off ensures tap is turned off after use.

## TFC745

Choose from flow time options to select the most practical, economical option for your application.

### FEATURES

- Push button activation
- Hygienic no-touch auto shut-off
- 3, 7 or 15 second\* flow time options
- Vandal resistant, chrome plated solid brass construction
- WELS 6 Star 4.5 litres per minute supplied standard.

The operation of this product can be affected by the ingress of sand, therefore it is not recommended for use in those types of environments, such as childcare centres. TFC740510 would be more suitable.

\*Flow times are indicative only and may vary depending on water supply pressure and flow conditions



### OPTIONS

Lever handle operation	TFC745L
Soft Touch operation	TFC740510

### Product Codes

<b>TFC745</b>	15 seconds* of flow
<b>TFC745P</b>	7 seconds* of flow
<b>TFC745P3</b>	3 seconds* of flow

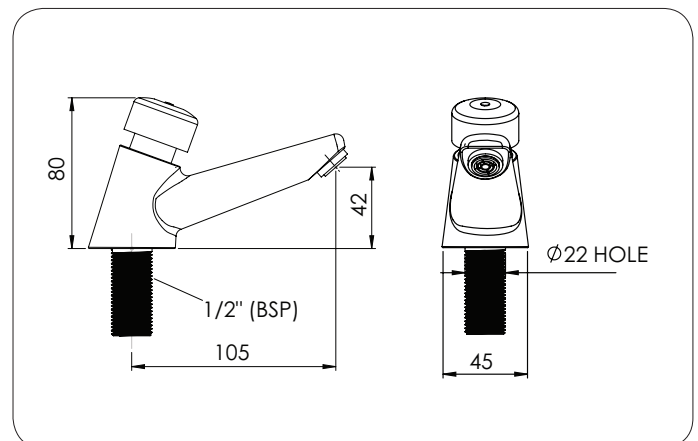


### Technical Information

Inlet Connection	15mm 1/2" BSP
Maximum Testing Pressure	1000 kPa
Maximum Working Pressure	500 kPa **
Recommended Pressure	250 - 300 kPa
Maximum Water Temperature	70°C**
Operating Force	22N @ 300 kPa

\*\*Enware products are to be installed in accordance with the Plumbing Code of Australia and AS/NZS3500. Reference should also be made to the Australasian Health facility Guidelines (AHFG), ABCB and Local Government regulations when considering the choice of, and the installation of these products.

NOTE: Enware Australia advises: 1. Due to ongoing Research and Development, specifications may change without notice. 2. Component specifications may change on some export models.



Version: Apr 19

Call 1300 369 273  
www.enware.com.au

Enware Australia Pty Limited  
9 Endeavour Rd Caringbah NSW 2229 Australia  
Ph: 02 8536 4000 info@enware.com.au

