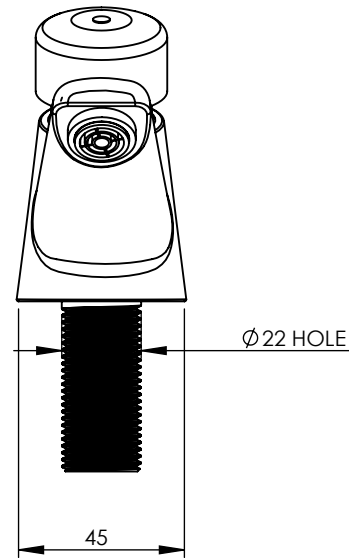
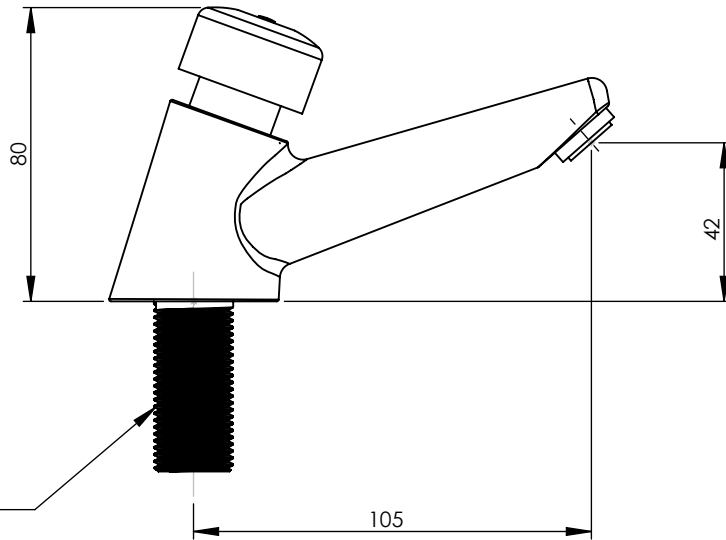
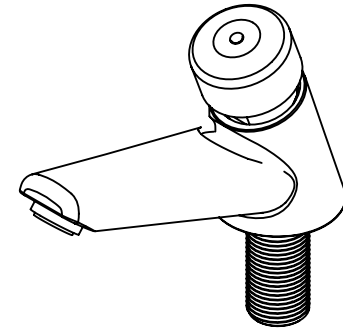
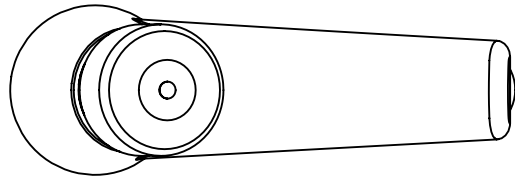


A

B

C

D



1/2" (BSP)

Ø 22 HOLE



**GENERAL NOTES:**

- DIMENSIONS ARE IN mm's
- DO NOT SCALE OFF DIMENSIONS
- TAPWARE TOLERANCE / 2 (EXCEPT WHERE STATED )
- SAFETY SANITARY AND CARE TOLERANCE / 5 (EXCEPT WHERE STATED )

This drawing is the property of Enware Australia Pty Ltd and may not be reproduced in full or part without the written consent of Enware Australia.

DRAWN	TD
CHECKED	RA
APPROVED	LR



9 Endeavour Rd, Caringbah, NSW, 2229  
 Ph. +61 2 8536 4000  
 Email: info@enware.com.au

DRAWING NUMBER: TFC745		REV: D.0
DESCRIPTION: TIMED FLOW PILLAR TAP BUTTON 15 SEC		
FINISH: CHROME PLATED	SIZE: A4	SCALE: 1:2

A

B

C

D