

Enware-Delabie TempoSoft Time Flow Wall Tap

TFC741510

Time flow wall mounted basin tap with easy to use, soft-push operation. Automatic shut-off for improved hygiene and reduced water wastage.

Purpose designed optional extension piece available for when basin, sink or trough is set further away from the wall than is ideal. Designed to be vandal resistant and integrate cleanly with standard Temposoft wall tap. Ideal for public washrooms, schools, child care and applications where easy activation is beneficial.



FEATURES

- Soft push activation
- Approximately 7 seconds flow time (± 2 sec)
- Automatic shut-off without manual contact
- Hygienic, anti-scale flow straightener outlet
- Vandal resistant design
- Chrome-plated brass body
- Supplied with blue, yellow and red indicators
- 1/2" BSP female inlet connection
- 6 Star Water Efficiency Rating

OPTIONS

Extension piece TFC74165EXT



Product Codes

TFC741510 7 Seconds – 6 Star WELS Rating

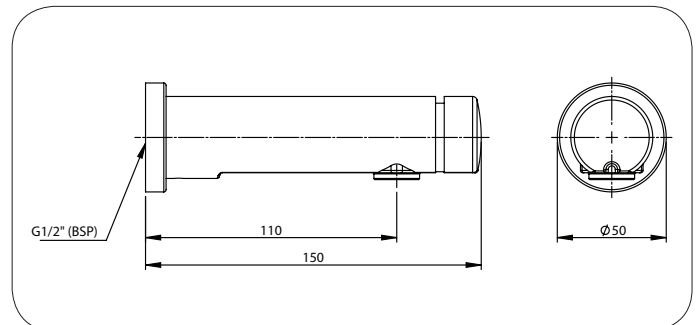


Technical Information

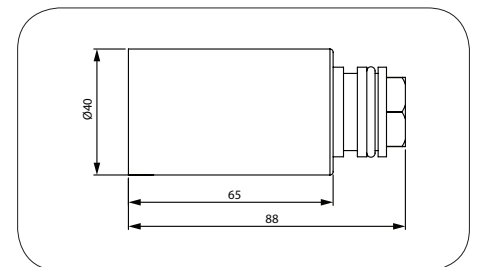
Inlet Connection	15mm 1/2" BSP
Maximum Testing Pressure	1000 kPa
Maximum Working Pressure	500 kPa *
Recommended Pressure	250 - 300 kPa
Maximum Water Temperature	70°C^
Operating Force	22N @ 300 kPa

*Enware tapware must be installed in accordance with the provisions of AS/NZS3500 and any relevant local regulations. Installations not complying with AS/NZS3500 may void the product and performance warranty provisions. ^ For all sanitary fixtures used primarily for personal hygiene purposes are to deliver heated water not exceeding:
a) 45°C for early childhood centres, primary and secondary schools, nursing homes or similar
b) 50°C in all other buildings

NOTE: Enware Australia advises that due to ongoing Research and Development, specifications may change without notice and component specifications may change on some export models.



TFC741510



TFC74165EXT

Version: Feb 18

Call 1300 369 273
www.enware.com.au

Enware Australia Pty Limited
 9 Endeavour Rd Caringbah NSW 2229 Australia
 Ph: 02 8536 4000 info@enware.com.au

