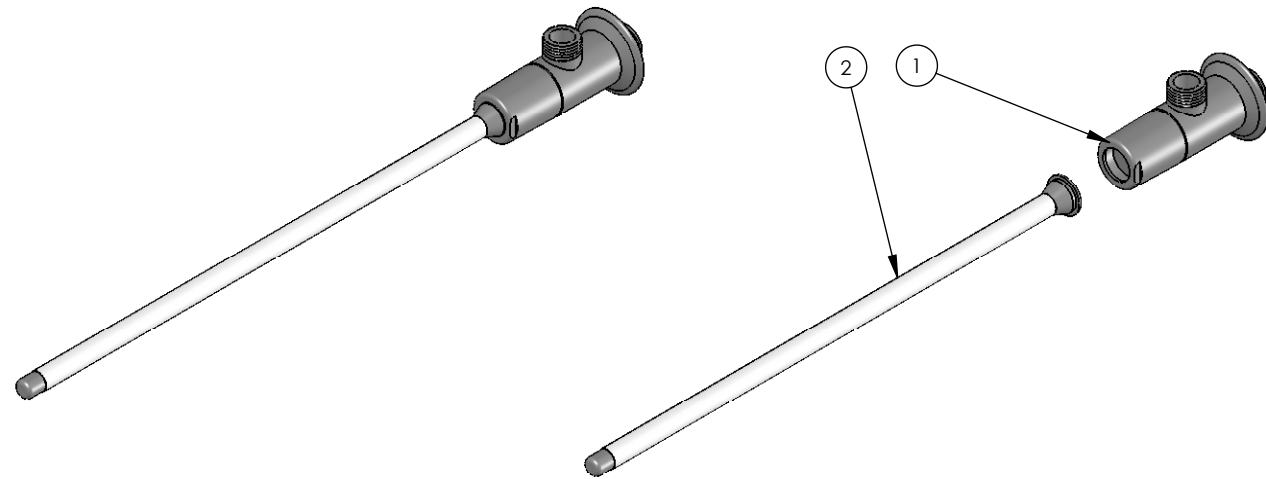
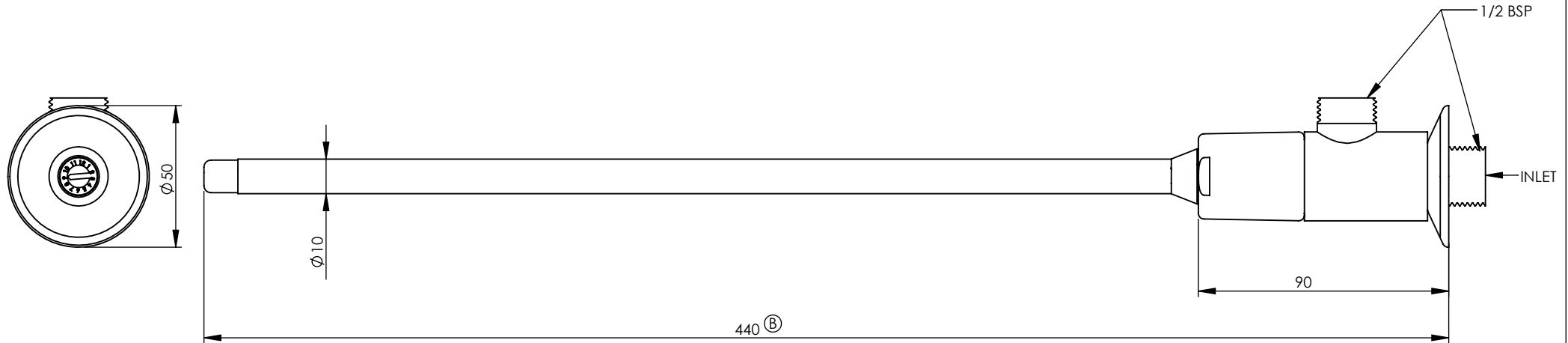


ITEM NO.	PART NUMBER	DESCRIPTION	QTY.
1	671524	TFC 734100 TEMPOSTOP KNEE OP ANGLE	1
2	671560	SPARE LEVER ONLY 350MM SUIT KNEE OP	1



REV	DATE	CN	AMMENDMENTS	MODIFIED BY
A	12/9/06		FIRST ISSUE	
B	26/04/08		REDRAWN. 440 WAS 435. (B)	SM

GENERAL NOTES:
 REMOVE ALL BURRS AND SHARP EDGES UNLESS OTHERWISE STATED
 DIMENSIONS ARE IN mm's

TOLERANCE EXCEPT WHERE STATED:

NO DECIMAL POINT	± 0.2
ONE DECIMAL PLACE	± 0.1
TWO DECIMAL PLACES	± 0.05
ANGLES	± 1

ENWARE RESERVES THE RIGHT TO AMEND PRODUCT SPECIFICATIONS AND DESIGNS WITHOUT NOTICE.

DRAWN	PK	9 Endeavour Rd, Caringbah, NSW, 2229 Ph. 61-2-9525-9511 Fax. 61-2-9524-8421		
CHECKED				
APPROVED	KN			
TITLE: TIMED FLOW VALVE - KNEE OPER R/A				
Scale: Not To Scale			Scale: Not To Scale	
MATERIAL:				
FINISH:				
This drawing is the Copyright of Enware Australia Pty Ltd and may not be reproduced in full or part without the written consent of Enware Australia Pty Ltd			DWG NO. TFC734	SHEET 1 OF 1