

# Enware-Delabie Time Flow Sporting Shower Module

Attractive and compact sporting panel shower ideal for public spaces and amenities, poolside or at the beach.

## TFC714700

Wall mounted time flow shower panel for cold or mixed water. Features a preset 30 second run time with an easy to operate button and a low flow showerhead.

### FEATURES

- Soft-touch operation
- Anodised aluminium satin chrome finish panel
- Adjustable connector for top or back inlet
- Slimline structure with vandal resistant concealed fixings
- Time flow 30 sec (-10/+5 secs)
- Flow rate 6 lpm (fixed)
- Tamperproof fixed shower head with scale-resistant nozzle and build-in flow rate regulator
- Adjustable spray angle can be locked in place
- Non-return valve and filter
- Integrated stopcock
- ½" BSP male connection for cold or mixed water supply



### Product Codes

TFC714700 Time Flow Sports Shower



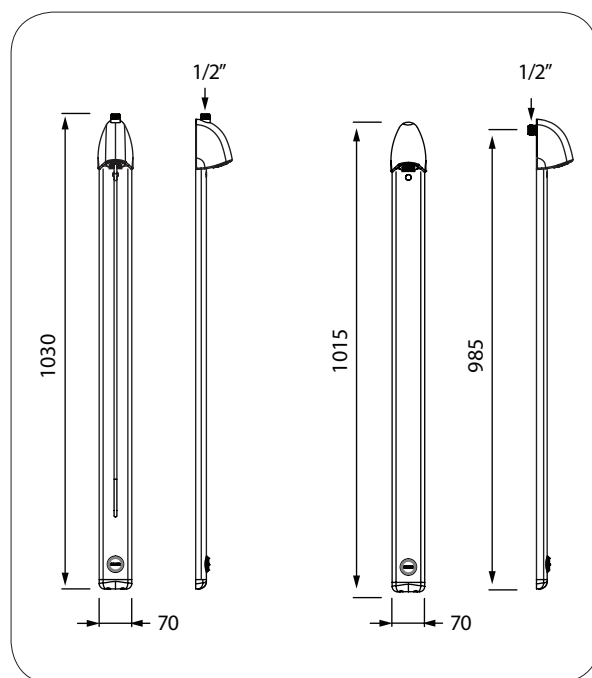
### Technical Information

Inlet Connection	15mm (½" BSP) Male
Working Pressure Range	150-500 kPa
Recommended Pressure	250-350 kPa
Maximum Pressure for Testing only	750 kPa
Maximum Water Temperature	60°C*
Recommended Water Temperature	cold to 41°C
Operating Force	25N @ 300 kPa
Flow Time	30 seconds +5 /-10 ^
Flow Rate	6 l/m

\*Enware tapware must be installed in accordance with the provisions of AS/NZS3500 and any relevant local regulations. Installations not complying with AS/NZS3500 may void the product and performance warranty provisions. ^ For all sanitary fixtures used primarily for personal hygiene purposes are to deliver heated water not exceeding:

- a) 45°C for early childhood centres, primary and secondary schools, nursing homes or similar
- b) 50°C in all other buildings

NOTE: Enware Australia advises that due to ongoing Research and Development, specifications may change without notice and component specifications may change on some export models.



Version: Jun 18

Call 1300 369 273  
www.enware.com.au

Enware Australia Pty Limited  
9 Endeavour Rd Caringbah NSW 2229 Australia  
Ph: 02 8536 4000 info@enware.com.au

