



emergency showers, eye wash and decontamination solutions

- Emergency Showers
- Eye and Eye/Face Washes — Plumbed
- Portable and Self-Contained Equipment
- Multi-Spray Decontamination Showers

when seconds count you can count on enware

Medical and industrial experiences have shown that initial first aid treatment for many hazardous contaminants should be to wash the contaminated part of the body as soon as possible.

Enware is an Australian manufacturer of emergency deluge and decontamination equipment. Combining the latest manufacturing techniques and design innovations, Enware provides premium quality products world wide.

Manufactured from stainless steel, our wide range of emergency deluge showers, eye/face wash units, platform and self-contained showers are designed for personal safety, particularly in applications such as mining, petroleum and oil refineries, chemical manufacturing and handling, as well as laboratories and hospitals.

At Enware, our flexible manufacturing process means products can be customised to suit your individual needs. Whether it's a self-contained shower or additional accessories such as emergency indicator lights and alarms, our design team has a solution for your application. We offer a range of accessories that will enhance the performance of our safety equipment to suit particular applications.

From thermal relief valves to alarm systems our experienced professional team can offer advice and recommend the appropriate accessories for each situation.

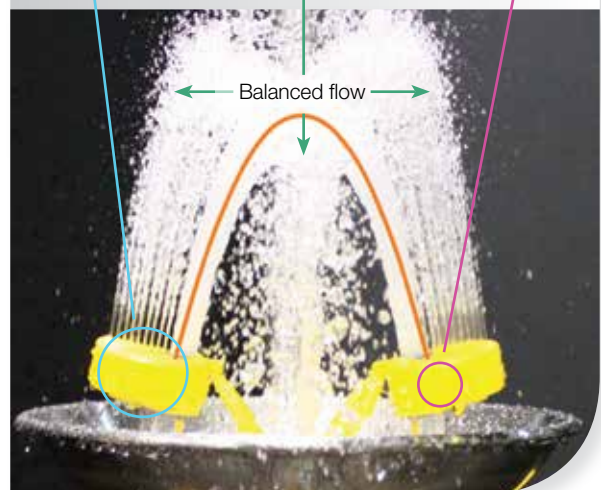


FEATURING NEW BREAKTHROUGH VERTEX TECHNOLOGY

Zero velocity point provides more comfort and control

Independent face wash streams provide optimum coverage

Independent eye wash streams for targeted flushing



QUALITY AND PRODUCT CERTIFICATION COMPLIANCE

Enware is a fully accredited Quality Endorsed company to the Internationally Approved Standard AS/NZS ISO 9001:2000 Lic. No. QEC 1213.

Enware's emergency eye wash and shower equipment is Standards Mark Licensed to ANSI Z358.1-2009 Lic. No. SMKP20545 and Australian Standard AS4775-2007 Lic. No. SMKP21998.

"These standards establish the minimum performance and use requirements for the emergency treatment of the eyes or body of a person who has been exposed to injurious materials. They cover the following type of equipment: emergency shower, eye wash equipment, eye/face wash equipment, hand held drench hoses and eye wash or eye/face wash equipment" (ANSI Z358.1-2009)



emergency showers

Enware's emergency safety showers assist in the rapid removal of contaminants from the body with a deluge of flushing fluid.

Stainless steel construction provides superior durability and reliability. Emergency showers are available as showers only or as combination showers with an eye or an eye/face wash.

- Designed and manufactured in Australia by Enware
- Independently tested for compliance to ANSI Z358.1-2009 and AS4775-2007
- Zero velocity apex point provides more comfort and control for effective cleansing of eyes
- Eye/face wash features "Vertex Technology" where Eye Wash and independently angled face wash streams deliver optimum coverage
- Balanced simultaneous operation on combination shower

ENWARE SHOWERS ARE AVAILABLE AS:

- Freestanding **ECE030**
- Wall mounted **EW1050**
- Ceiling mounted **EW1080**.

STAINLESS STEEL FINISH IS STANDARD, POWDER COATED FINISH AVAILABLE IN:

- Green (add **GR** to end of code)
- White (add **WH** to end of code)
- Yellow (add **YE** to end of code)
- Orange (add **OR** to end of code).



K

emergency showers, eye wash and decontamination

combination showers

When choosing an Eye or Eye/Face Wash it is important to refer to the safety data sheet (SDS/MSDS) of hazardous substances found where the emergency equipment will be utilised.

EYE WASH

Eye washes flush hazardous contaminants and irritants from eyes.

ECE060 - Emergency Shower with Eye Wash Hand Operated

ECE090 - Emergency Shower with Eye Wash Hand and Foot Operated



EYE/FACE WASH

Eye/face wash flush hazardous contaminants and skin irritants from face and eyes. Vertex technology ensures effective cleansing of contaminants.

ECE240 - Emergency Shower with Eye/Face Wash Hand Operated

ECE270 - Emergency Shower with Eye/Face Wash Hand and Foot Operated



NO BOWL OPTION

Both options are available with no Bowl, better suited for outdoor applications to minimise dust buildup.

Refer to:

ENBE060 - Emergency Shower with Eye Wash Hand Operated - no Bowl

ENBE090 - Emergency Shower with Eye Wash Hand and Foot Operated - no Bowl

ENBE240 - Emergency Shower with Eye/Face Wash Hand Operated — no Bowl

ENBE270 - Emergency Shower with Eye/Face Wash Hand and Foot Operated — no Bowl



ECE270 shown

To meet ANSI Z358.1-2009 and AS4775-2007 performance requirements Enware safety showers require: Minimum flow rates.

Shower 76lpm (20 US gpm) / Eye/face wash 26lpm (6.9 US gpm).

Eye wash 17lpm (4.5 US gpm) at a dynamic pressure of 210kPa (30 psi).

Supply piping shall be adequately sized to meet flow requirements. Hydraulic Consultant required to ensure supply piping is adequately sized to meet flow requirements.

accessories and options

Enware offers a range of accessory equipment to further enhance safety. We can also offer advice on designing a monitoring and alarm system specific to your needs. Please contact us so we can help you.

SIGNAGE

SAFETY SHOWER SIGN

300 x 400mm

Self Adhesive Sticker: **ESS502**

Colourbond Metal: **ESS503**



EMERGENCY EYE WASH SIGN

300 x 400mm

Self Adhesive Sticker: **ESS501**

Colourbond Metal: **ESS504**



COMBINATION SHOWER AND EYE WASH SIGN

600 x 450mm

Colourbond Metal: **ESS505**



ANTI-STATIC SHOWER TESTER

Waterproof, anti-static, lightweight, durable design. Simply attach to shower head, secure draw cord and place other end in a bucket.

(Bucket not included)

Order Code:

EST100 - Anti-Static Shower Tester

Also available:

EST101 - Eye Wash Tester



EMERGENCY LIGHTING

- Green fluorescent lighting used to indicate location of safety system
- For hazardous and non-hazardous applications

Special order — Please contact your Enware representative.



Wall mounted or optional Bracket to mount to Shower.

PRESSURE SENSOR

- Sensor warns of unsafe pressure
- Used in areas where water pressure fluctuations could hinder the correct operation of the safety system

Special order — Please contact your Enware representative.



ALARM SYSTEMS

- Helps increase awareness and safety when safety system is in use
- These systems can be local, remote or a combination of both and are used to notify that the safety system is in use
- Activated by Flow Sensor, Pressure Sensor or Proximity Switch
- Can be configured for hazardous applications
- BMS connectivity available

Contact Enware to design a monitoring and alarm system specific to your needs.



HOT WEATHER OPTIONS

THERMAL RELIEF VALVE

When the water temperature rises above safe limits, and a danger of scalding exists, the thermal actuator modulates the valve open bleeding the hot water until the water temperature returns to the safe range. The valve then closes.

THERMAL INSULATION

Insulation is available contact your Enware representative for more information.

Special order — Please contact your Enware representative.

Pictured with Thermal Relief Valve



K

emergency showers, eye wash and decontamination

COLD WEATHER OPTIONS

ANTI-FREEZE VALVE

- Discharges the minimum amount of water required to prevent freeze damage
- Downstream actuator for greater sensitivity
- Unaffected by pressure variations
- Stainless steel body, fittings, spring and plug

Special order — Please contact your Enware representative.

TEPID WATER DELIVERY

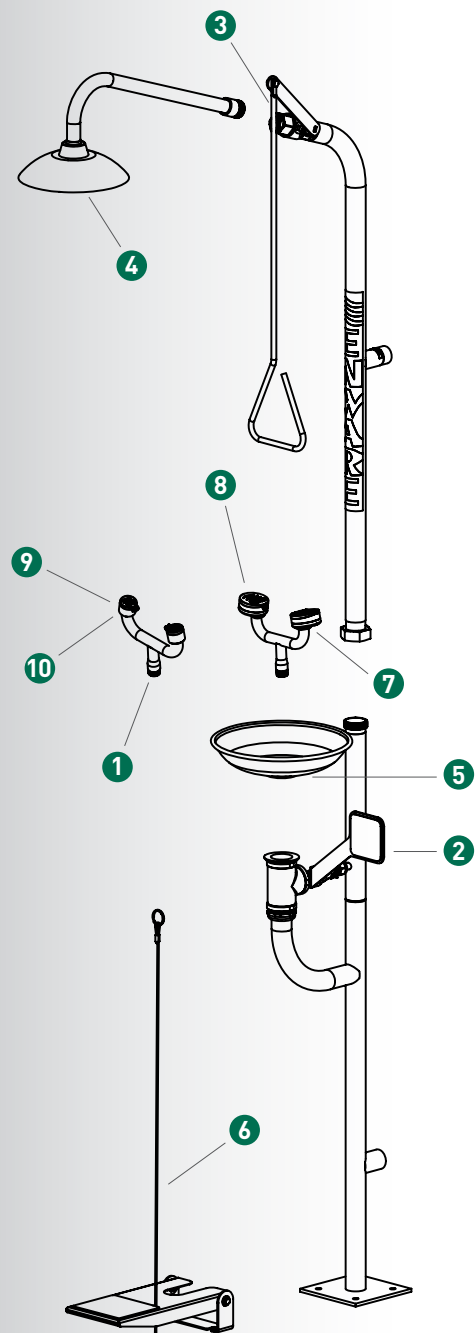
15mm and 25mm thermostatic mixing valves for the delivery of tepid water to help reduce the risk of thermal shock. These products require hydraulic design to ensure adequate water supply for shower and/or eye wash performance.

Special order — Please contact your Enware representative.

emergency showers spare parts

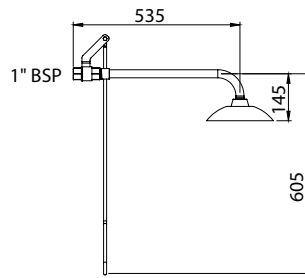
Enware have range of spare parts to ensure your safety equipment is always functioning at its optimum.

Description	Order Code
1 Eye and Eye/Face Wash Frame Only	ESPE002
2 Push Handle to suit Eye and Eye/Face Washes	ESPE010
3 Pull handle to activate shower	ESPE009
4 Shower arm and rose	ESPE005
5 Bowl only	ESPE008
6 Foot operation conversion kit for Eye & Eye/Face Wash	ESPE001
7 Eye-Face Wash Cover Complete with Aerator (Single)	ESPE012
8 Aerator to suit Eye/Face Wash only	ESPE013
9 Eye Wash Aerator and Washer	ESPE015
10 Eye wash Dust Cover Kit Complete with Aerator (Pair)	ESPE016



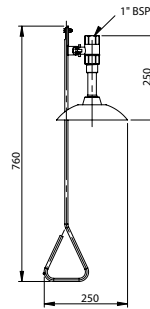
Stainless Steel Wall Mounted Deluge Shower and Handle

EW1050	Stainless Steel Finish
EW1050GR	Epoxy Finish — GREEN
EW1050OR	Epoxy Finish — ORANGE
EW1050WH	Epoxy Finish — WHITE
EW1050YE	Epoxy Finish — YELLOW



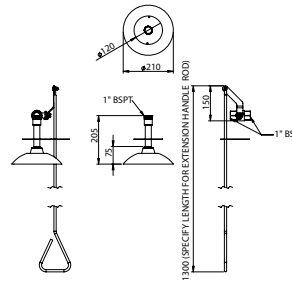
Ceiling Mounted Deluge Shower and Handle

EW1080	Stainless Steel Finish
EW1080GR	Epoxy Finish — GREEN
EW1080OR	Epoxy Finish — ORANGE
EW1080WH	Epoxy Finish — WHITE
EW1080YE	Epoxy Finish — YELLOW



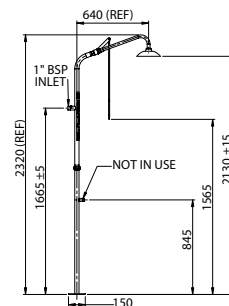
Semi-Recessed Ceiling Mounted Emergency Shower and Handle Stainless Steel (specify handle length when ordering)

EW1081



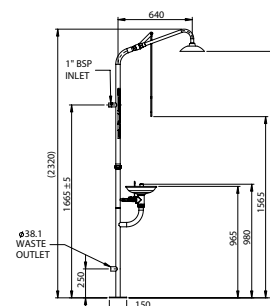
Stainless Steel Free Standing Emergency Shower

ECE030	Brushed Stainless Steel Finish
ECE030GR	Epoxy Finish — GREEN
ECE030OR	Epoxy Finish — ORANGE
ECE030WH	Epoxy Finish — WHITE
ECE030YE	Epoxy Finish — YELLOW



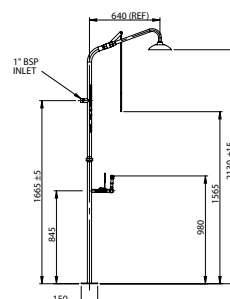
Stainless Steel Combination Emergency Shower Eye Wash Hand Operated

ECE060	Brushed Stainless Steel Finish
ECE060GR	Epoxy Finish — GREEN
ECE060OR	Epoxy Finish — ORANGE
ECE060WH	Epoxy Finish — WHITE
ECE060YE	Epoxy Finish — YELLOW



Combination Emergency Shower & Hand Operated Eye Wash — No Bowl

ENBE060	Brushed Stainless Steel Finish
ENBE060GR	Epoxy Finish — GREEN
ENBE060OR	Epoxy Finish — ORANGE
ENBE060WH	Epoxy Finish — WHITE
ENBE060YE	Epoxy Finish — YELLOW

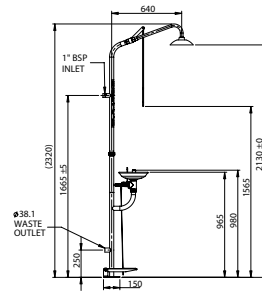


K

emergency showers, eye wash and decontamination

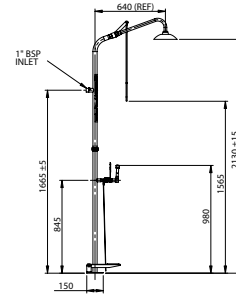
Stainless Steel Combination Emergency Shower Eye Wash Hand/Foot Operated

ECE090	Brushed Stainless Steel Finish
ECE090GR	Epoxy Finish — GREEN
ECE090OR	Epoxy Finish — ORANGE
ECE090WH	Epoxy Finish — WHITE
ECE090YE	Epoxy Finish — YELLOW



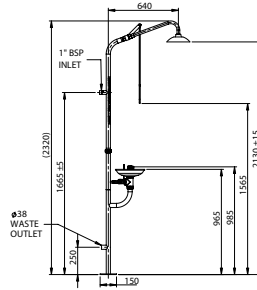
Combination Emergency Shower & Hand/Foot Operated Eye Wash — No Bowl

ENBE090	Brushed Stainless Steel Finish
ENBE090GR	Epoxy Finish — GREEN
ENBE090OR	Epoxy Finish — ORANGE
ENBE090WH	Epoxy Finish — WHITE
ENBE090YE	Epoxy Finish — YELLOW



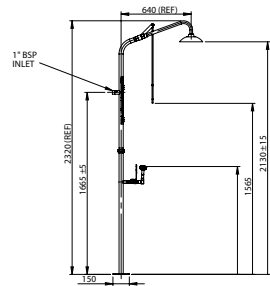
Stainless Steel Combination Emergency Shower Eye Face Wash Hand Operated

ECE240	Brushed Stainless Steel Finish
ECE240GR	Epoxy Finish — GREEN
ECE240OR	Epoxy Finish — ORANGE
ECE240WH	Epoxy Finish — WHITE
ECE240YE	Epoxy Finish — YELLOW



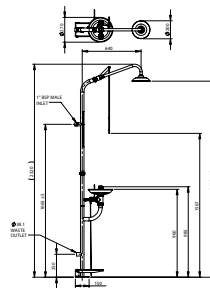
Combination Emergency Shower and Hand Operated Eye/Face Wash — No Bowl

ENBE240	Brushed Stainless Steel Finish
ENBE240GR	Epoxy Finish — GREEN
ENBE240OR	Epoxy Finish — ORANGE
ENBE240WH	Epoxy Finish — WHITE
ENBE240YE	Epoxy Finish — YELLOW



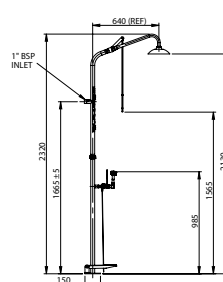
Stainless Steel Combination Emergency Shower Eye Face Hand/Foot Operated

ECE270	Brushed Stainless Steel Finish
ECE270GR	Epoxy Finish — GREEN
ECE270OR	Epoxy Finish — ORANGE
ECE270WH	Epoxy Finish — WHITE
ECE270YE	Epoxy Finish — YELLOW



Combination Emergency Shower and Hand/Foot Operated Eye/Face Wash — No Bowl

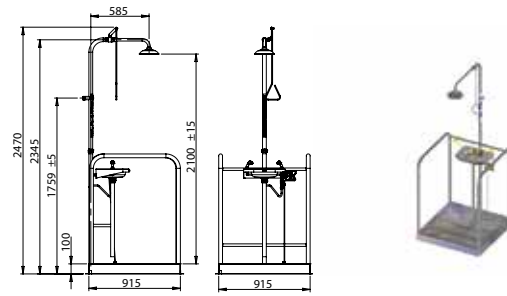
ENBE270	Brushed Stainless Steel Finish
ENBE270GR	Epoxy Finish — GREEN
ENBE270OR	Epoxy Finish — ORANGE
ENBE270WH	Epoxy Finish — WHITE
ENBE270YE	Epoxy Finish — YELLOW



Free Standing Hand Operated Emergency Shower & Platform Operated Eye Wash

EP1020

Standard



400x300 Vinyl Emergency Eye Wash Sign

ESS501



400x300 Vinyl Emergency Shower Sign

ESS502



400x300 Colourbond Emergency Shower Sign

ESS503



400x300 Colourbond Emergency Eye wash Sign

ESS504



600x450 Colourbond Combination Shower and Eye Wash Sign

ESS505



K

emergency showers, eye wash and decontamination

Metal Sign 250 x 250mm

ESS507	Emergency Shower and Eye Wash
ESS508	Emergency Eye Wash
ESS510	Emergency Shower



Vinyl Label 250 x 250mm

ESS509	Emergency Eye Wash
ESS511	Emergency Shower
ESS520	Emergency Shower and Eye Wash

Emergency Shower and Eye Wash Inspection Tag Replacement

ESS521



Anti-Static Shower Tester

EST100



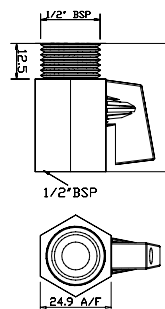
Eye Wash — Aerator & Washer

ESP003



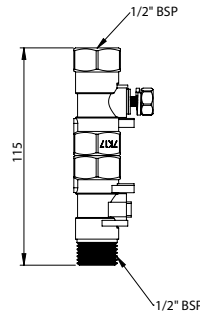
Eye Wash Volume Control 1/2 Inch

ESP004



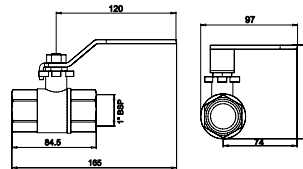
Ball Valve 1/2 Inch Stainless Steel Reduced Bore

ESP005



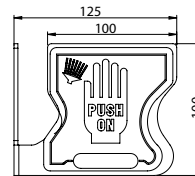
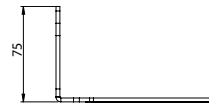
Full Flow Ball Valve 1 Inch

ESP006



Eye Wash Push Handle (Old Style – EE, EF, EC Models)

ESP007



Emergency Shower – Pull Rod (Old Style – EC and ENB Models)

ESP008



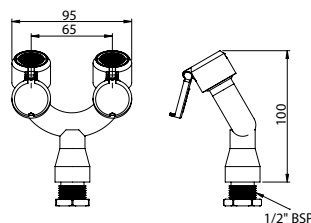
Eye Wash – Foot Pedal (Old Style - EE, EF, EC Models)

ESP009



Eye/Face Wash Outlet - Suits EF300 (and superseded EF/EC models)

ESP016

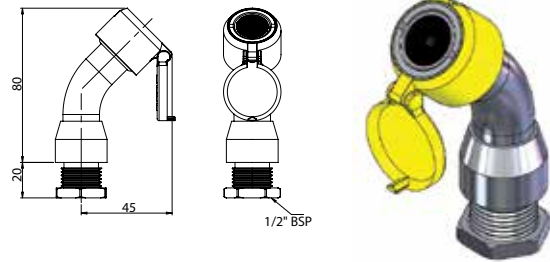


K

emergency showers, eye wash and decontamination

Eye Wash Outlet - Suits EE120 (and superseded EE/EC models)

ESP017



1/16 Inch Grub Screw

ESP018



Platform Shower Valve

ESP020

1-1/4 Inch 316 Stainless Steel Ball Valve



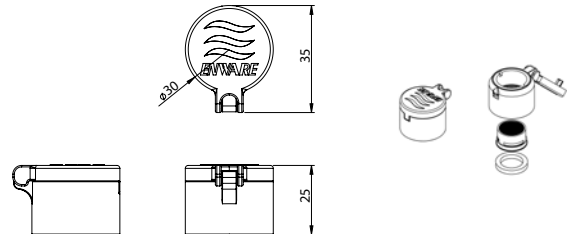
Eye wash Aerator, Housing and Dust Cover (Pair)

ESP034

Suits EE120 (and superseded EE and EC models) - 2 x Outlets and Dust Covers plus an Anti-Vandal Key

ESP041

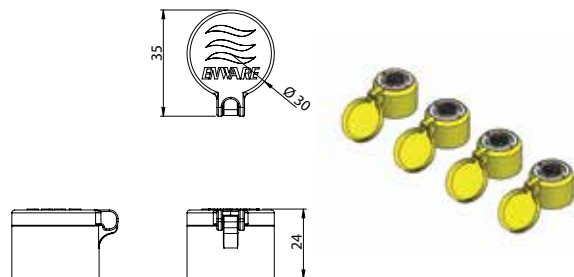
Suits EL481 and EL482 - 2 x Outlets and Dust Covers plus an Anti-Vandal Key



3/8" Eye wash Aerator Kit with Washer, Cover and Anti-Vandal Key - Suits EF300 (and superseded EF and EC models)

ESP036

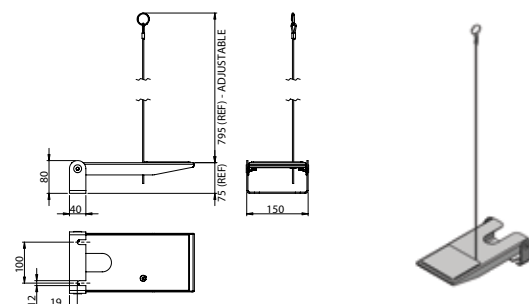
4 x Outlets and Dust Covers plus an Anti-Vandal Key



ECE/EEE/EFE Foot Op Conversion Kit for Eye Wash

ESPE001

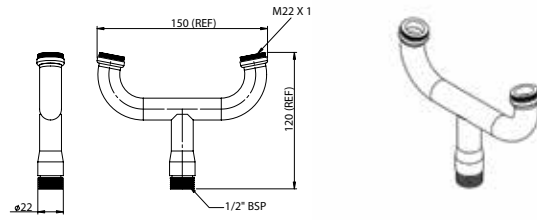
Brushed Stainless Steel Finish



Eye and Eye/Face Wash T-Frame Only (suits ECE/EEE/ EFE/ENBE)

ESPE002

Stainless Steel Finish



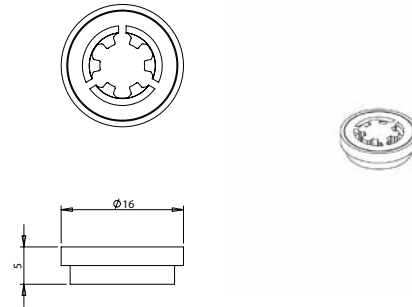
ECE Insert Flow Control for Eye Wash

ESPE003

Suits Eye wash Only

ESPE004

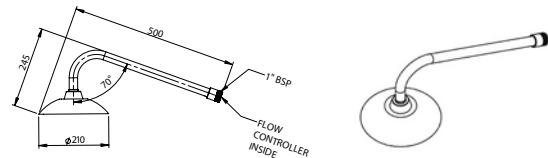
Suits Eye/Face Wash



ECE Shower Arm and Rose

ESPE005

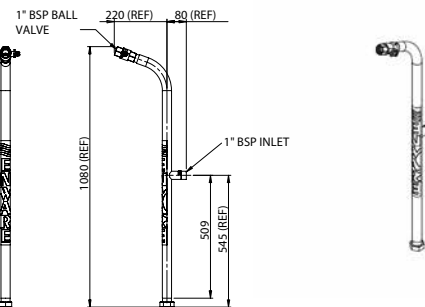
Shower Rose Complete



ECE Top Section Frame with Ball Valve

ESPE006

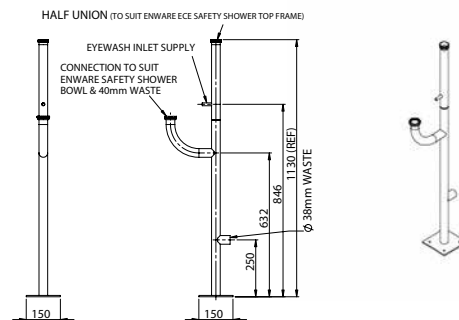
Shower Frame Top Section (Exclude Rose & Pull Handle)



ECE Base Section Frame Only for Combination Units

ESPE007

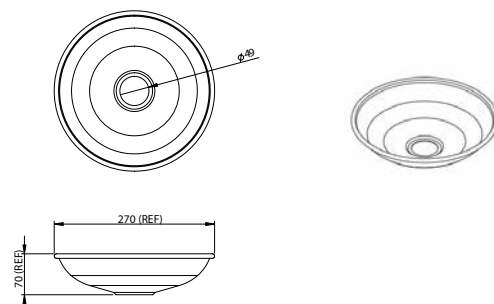
Shower Bottom Frame Only (Only Suit ECE060/090/240/270)



ECE/EEE/EFE Bowl Only

ESPE008

Bowl to Suit ECE Shower



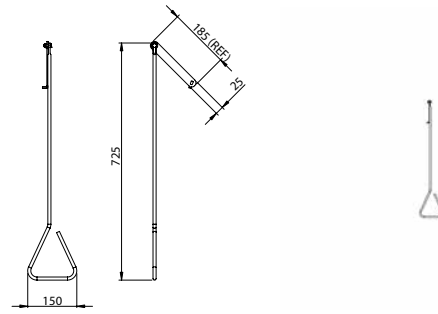
K

emergency showers, eye wash and decontamination

ECE Pull Handle for Shower Operation

ESPE009

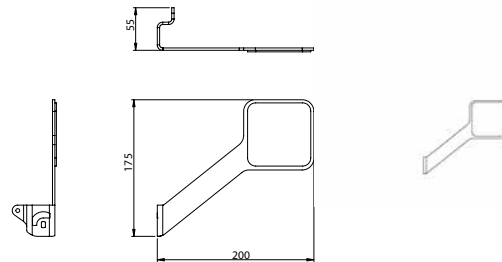
Shower Rose Pull Handle



ECE/EEE/EFE Push Handle To Suit Eye and Eye/Face Wash

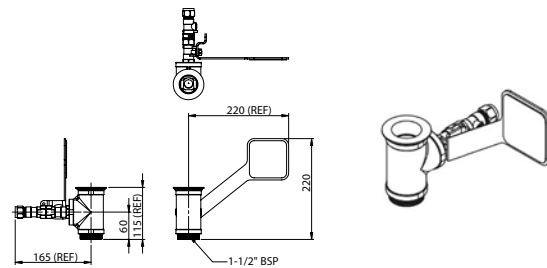
ESPE010

Push Handle to suit Eye/ Eye-Face Wash Control Valve



ECE Eye/ Eye Face Wash Control Valve with Push Handle & Waste Adaptor Incorporated

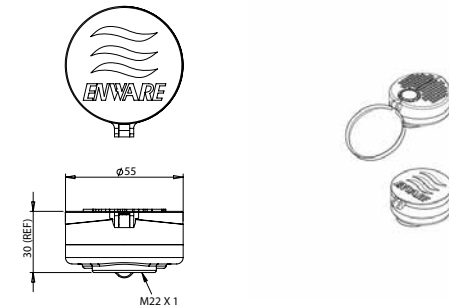
ESPE011



ECE/EFE Eye Face Wash Outlet

ESPE012

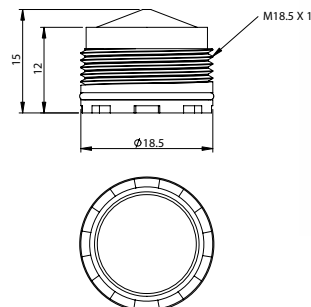
Eye-Face Wash Cover Complete with Aerator (Single)



ECE/EFE Eye Face Wash — Aerator

ESPE013

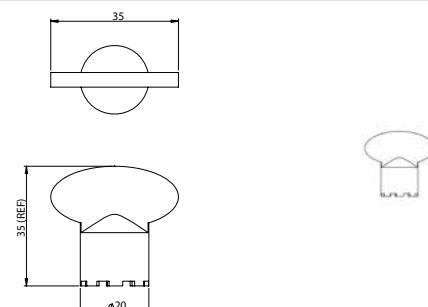
Aerator to Suit Eye/Face Wash Cover Only



ECE/EFE Aerator Key for Eye/Face Wash Only

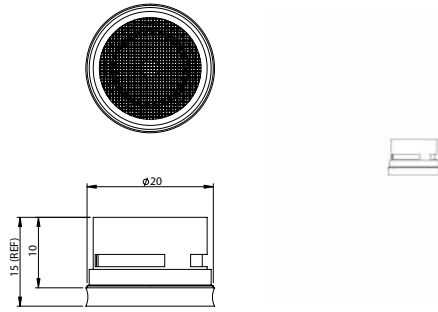
ESPE014

Aerator Key to Suit Eye/Face Wash Cover Only



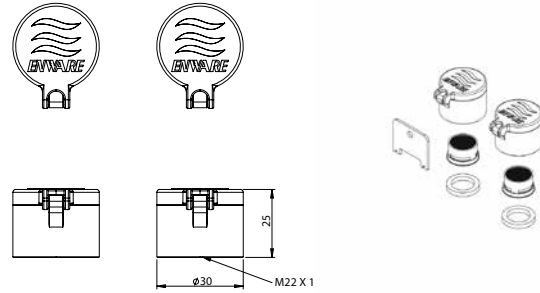
ECE/EEE Eye Wash — Aerator and Washer

ESPE015 Aerator Kit to Suit Eye wash Only



ECE/EEE Eye Wash — Dust Cover Kit with Aerator

ESPE016 Eye wash Dust Cover Kit Complete with Aerator (Pair)



15mm Safety Eye Wash Thermostatic Mixing Valve

TM-300 TMV Only

25mm Safety Shower Thermostatic Mixing Valve

TM-600 TMV Only

Insulation

- ESS100 Thermal Reflective Insulation (Fitted)
- ESS101 Aluminised Tape for Insulation (50m Roll)
- ESS102 Reflective Insulation Tubing - 2m



eye wash and eye/face wash — plumbed

When choosing an Eye or Eye/Face Wash it is important to refer to the safety data sheet (SDS /MSDS) of hazardous substances in use where the emergency equipment will be utilised.

For proper cleansing, eyes need to be held open using both hands. Vertex technology aids effective cleansing of contaminants.

Zero velocity point provides more comfort and control.

- Designed and manufactured in Australia by Enware
- Independently tested for compliance to ANSI Z358.1-2009 and AS4775-2007
- Freestanding, stand-alone or wall mounted versions available

EYE WASH

Eye washes flush hazardous contaminants and irritants from eyes.

- EEE180 - Eye Wash Hand Operated**
- EEE210 - Eye Wash Hand and Foot Operated**



EYE/FACE WASH

Eye/face wash flush hazardous contaminants and skin irritants from face and eyes. Vertex technology ensures effective cleansing of contaminants.

- EFE360 - Eye/Face Wash Hand Operated**
- EFE390 - Eye/Face Wash Hand and Foot Operated**



NO BOWL OPTION

Both options are available with no Bowl, better suited for outdoor applications to minimise dust buildup.

Refer to:

- ENBE180 - Eye Wash no Bowl Hand Operated**
- ENBE210 - Eye Wash no Bowl Hand/Foot Operated**
- ENBE360 - Eye/Face Wash no Bowl Hand Operated**
- ENBE390 - Eye/Face Wash no Bowl Hand/Foot Operated**

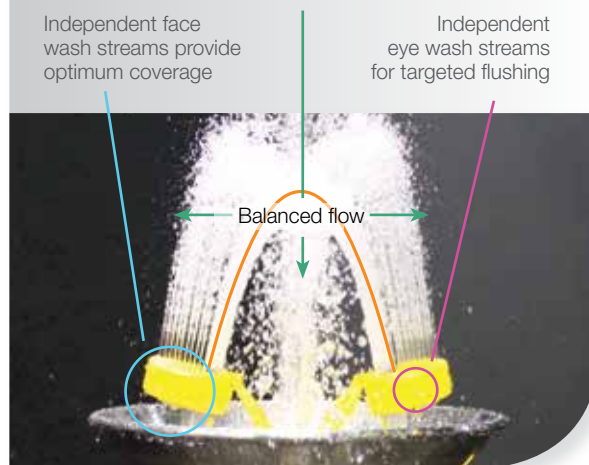


EYE AND EYE/FACE WASHES FEATURE ENWARE DESIGNED “VERTEX TECHNOLOGY”

Zero velocity point provides more comfort and control

Independent face wash streams provide optimum coverage

Independent eye wash streams for targeted flushing



STAINLESS STEEL FINISH IS STANDARD, POWDER COATED FINISH AVAILABLE IN:

- Green (add **GR** to end of code)
- White (add **WH** to end of code)
- Yellow (add **YE** to end of code)
- Orange (add **OR** to end of code)

Eye/Face Wash features “Vertex Technology” where eye wash and independently angled face wash streams deliver optimum coverage



Eye/Face Wash shown here with Hand and Foot Operation other options include:

- Eye Wash Only
- No Bowl
- Hand Only Activation

EFE390 - Eye/Face Wash shown

eye and eye/face wash accessories

Enware offers a range of accessory equipment to further enhance safety. We can also offer advice on designing a monitoring and alarm system specific to your needs. Please contact us so we can help you.

SIGNAGE

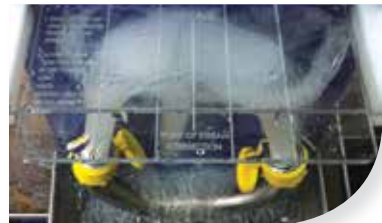
EYE WASH SIGN

- 300 x 400mm
- Self Adhesive Sticker: **ESS501**
- Colourbond Metal: **ESS504**



EYE WASH TESTER

- Order Code:
- EST101 - Eye Wash Tester**



ALARM SYSTEMS

- Helps increase awareness and safety when safety system is in use
- These systems can be local, remote or a combination of both and are used to notify that the safety system is in use
- Activated by Flow Sensor, Pressure Sensor or Proximity Switch
- Can be configured for hazardous applications
- BMS connectivity available



Contact Enware to design a monitoring and alarm system specific to your needs.

EMERGENCY LIGHTING

- Green fluorescent lighting used to indicate location of safety system
- For hazardous and non-hazardous applications



Special order — Please contact your Enware representative.

COLD WEATHER OPTIONS

ANTI-FREEZE VALVE

- Discharges the minimum amount of water required to prevent freeze damage
- Downstream actuator for greater sensitivity
- Unaffected by pressure variations
- Stainless steel body, fittings, spring and plug

Special order — Please contact your Enware representative.

TEPID WATER DELIVERY

15mm and 25mm thermostatic mixing valves for the delivery of tepid water to help reduce the risk of thermal shock. These products require hydraulic design to ensure adequate water supply for shower and/or eye wash performance.

Special order — Please contact your Enware representative.

PRESSURE SENSOR

- Sensor warns of unsafe pressure
- Used in areas where water pressure fluctuations could hinder the correct operation of the safety system



Special order — Please contact your Enware representative.

HOT WEATHER OPTIONS

THERMAL RELIEF VALVE

When the water temperature rises above safe limits, and a danger of scalding exists, the thermal actuator modulates the valve open bleeding the hot water until the water temperature returns to the safe range.

The valve then closes.

THERMAL INSULATION

Insulation is available contact your Enware representative for more information.

Special order — Please contact your Enware representative.

Pictured with Thermal Relief Valve

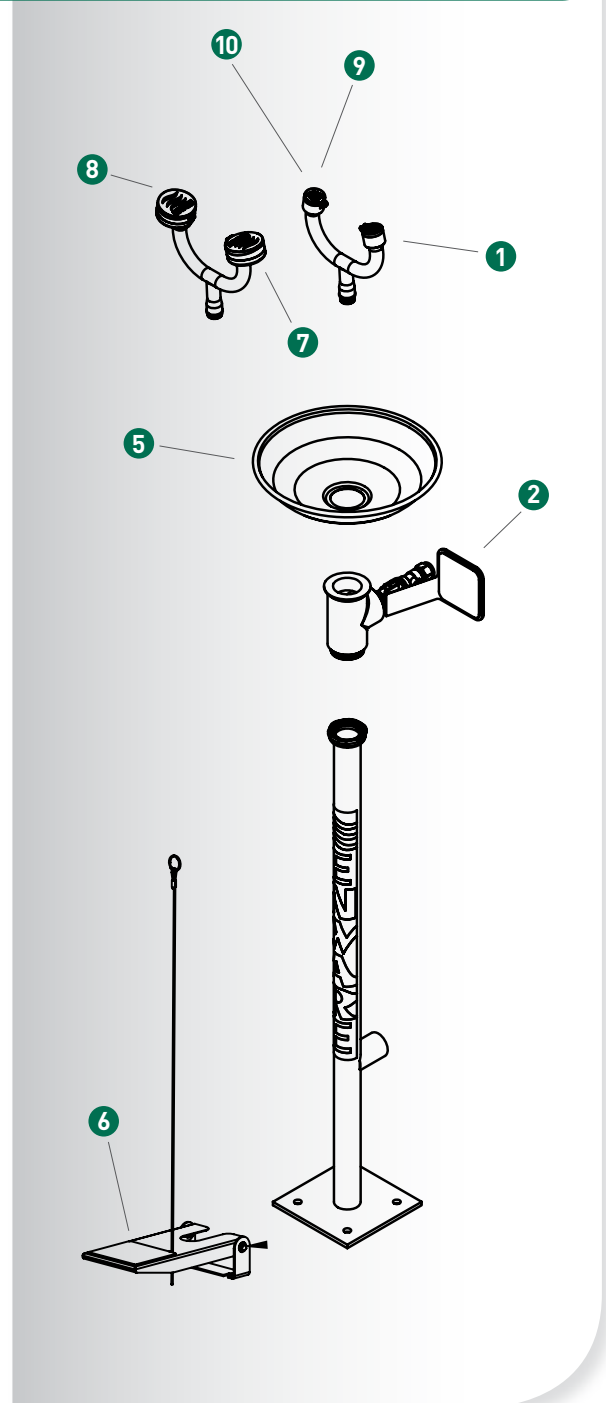


K

emergency showers, eye wash and decontamination

eye and eye/face wash spare parts

Description	Order Code
1 Eye and Eye/Face Wash Frame Only	ESPE002
2 Push Handle to suit Eye and Eye/Face Washes	ESPE010
5 Bowl only	ESPE008
6 Foot operation conversion kit for Eye & Eye/Face Wash	ESPE001
7 Eye-Face Wash Cover Complete with Aerator (Single)	ESPE012
8 Aerator to suit Eye/Face Wash only	ESPE013
9 Eye Wash Aerator and Washer	ESPE015
10 Eye wash Dust Cover Kit Complete with Aerator (Pair)	ESPE016



Laboratory emergency and supplemental systems

Eye washes and supplementary support face and body sprays

Enware offer a range of laboratory safety equipment for rapid response to injury and damage to the face, body and eyes. When hazardous substances make contact with the human eye and delicate tissue, damage can be immediate and response time is critical — eye wash and body spray equipment near workplace hazard locations is good risk management.

- Quick response to spills of hazardous substances, including acid and alkalis
 - Providing easily accessible and quickly usable hazard reduction
 - Ideal for industrial, commercial and educational situations
- To meet ANSI Z358.1-2009 and AS4775-2007 eye wash outlets need to be between 838mm to 1143mm from the surface where the user stands.



HAND HELD SINGLE OUTLET EYE WASH BODY SPRAY

- Wall or bench mounted models

Order Code:

EL540 - Bench Mounted (pictured)

EL420 - Wall Mounted

SWIVEL OVER SINK MOUNTED EYE WASH

- Swivels over sink when required
- Bright chrome plated
- Powder coated option available

Note: for AS4775-2007 compliance the outlet height when in the on position must be between 838 and 1143mm from floor.

Order Code:

EL570 - Standard Chrome Finish



PULL DOWN EYE WASH

- Wall or bench mounted models
- Pull down eye wash arm to activate water flow
- Soft aerated outlets with flip-top dust covers

Note: for AS4775-2007 compliance the outlet height when in the on position must be between 838 and 1143mm from floor.

Order Code:

EL486 - Bench Mounted

EL487 - Wall Mounted



WALL MOUNTED HAND HELD

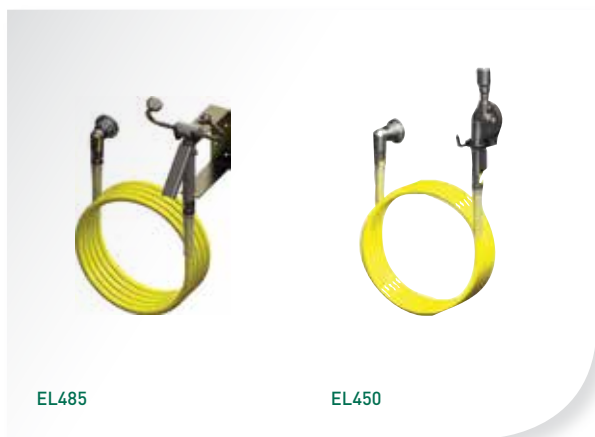
- Premium grade nylon 3.3m self-coiling hose allows for body spray flushing of incidental contaminants from the body
- Includes angled eye wash outlets
- Stay open ball valve activation lever on outlet handle
- Aerated adjustable spray nozzle
- Chrome plated brass body
- Premium grade nylon 4m self-coiling hose

Order Code:

EL485 - Eye Wash and Body Spray

Note: for AS4775-2007 compliance the outlet height when in the on position must be between 838 and 1143mm from floor.

EL450 - Single Outlet Eye Wash and Body Spray

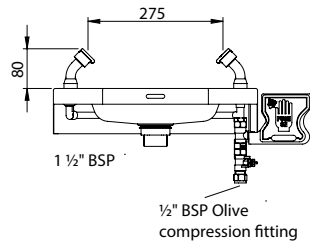


K

emergency showers, eye wash and decontamination

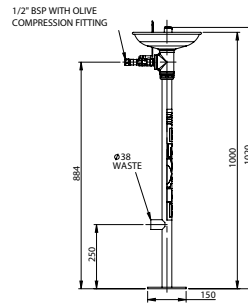
Stainless Steel Wall Mounted Eye Wash Hand Operated

EE120	Stainless Steel Finish
EE120GR	Epoxy Finish — GREEN
EE120OR	Epoxy Finish — ORANGE
EE120WH	Epoxy Finish — WHITE
EE120YE	Epoxy Finish — YELLOW



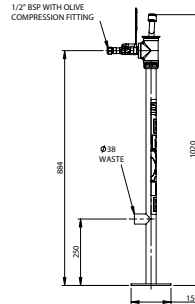
Stainless Steel Free Standing Eye Wash Hand Operated

EEE180	Brushed Stainless Steel Finish
EEE180GR	Epoxy Finish — GREEN
EEE180OR	Epoxy Finish — ORANGE
EEE180WH	Epoxy Finish — WHITE
EEE180YE	Epoxy Finish — YELLOW



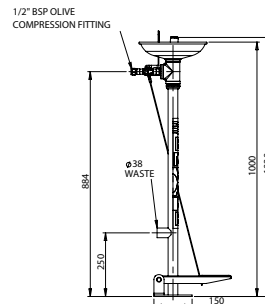
Pedestal Mounted Hand Operated Eye Wash — No Bowl

ENBE180	Brushed Stainless Steel Finish
ENBE180GR	Epoxy Finish — GREEN
ENBE180OR	Epoxy Finish — ORANGE
ENBE180WH	Epoxy Finish — WHITE
ENBE180YE	Epoxy Finish — YELLOW



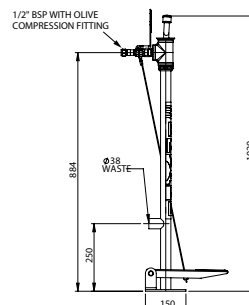
Stainless Steel Free Standing Eye Wash Hand/Foot Operated

EEE210	Brushed Stainless Steel Finish
EEE210GR	Epoxy Finish — GREEN
EEE210OR	Epoxy Finish — ORANGE
EEE210WH	Epoxy Finish — WHITE
EEE210YE	Epoxy Finish — YELLOW



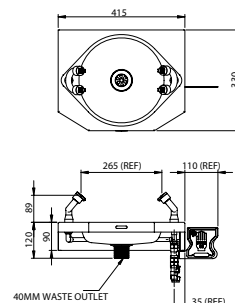
Pedestal Mounted Hand/Foot Operated Eye Wash — No Bowl

ENBE210	Brushed Stainless Steel Finish
ENBE210GR	Epoxy Finish — GREEN
ENBE210OR	Epoxy Finish — ORANGE
ENBE210WH	Epoxy Finish — WHITE
ENBE210YE	Epoxy Finish — YELLOW



Stainless Steel Wall Mounted Eye Face Wash Hand Operated

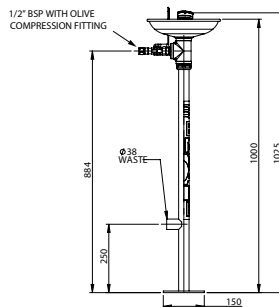
EF300	Stainless Steel Finish
EF300GR	Epoxy Finish — GREEN
EF300OR	Epoxy Finish — ORANGE
EF300WH	Epoxy Finish — WHITE
EF300YE	Epoxy Finish — YELLOW



Product details in this guide are indicative only and may change without notice.

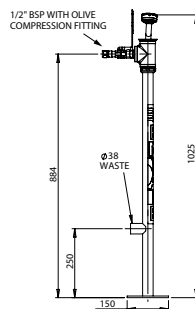
Stainless Steel Free Standing Eye Face Wash Hand Operated

EFE360	Brushed Stainless Steel Finish
EFE360GR	Epoxy Finish — GREEN
EFE360OR	Epoxy Finish — ORANGE
EFE360WH	Epoxy Finish — WHITE
EFE360YE	Epoxy Finish — YELLOW



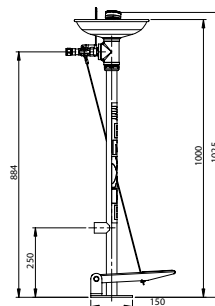
Pedestal Mounted Emergency Hand Operated Eye/Face Wash — No Bowl

ENBE360	Brushed Stainless Steel Finish
ENBE360GR	Epoxy Finish - GREEN
ENBE360OR	Epoxy Finish - ORANGE
ENBE360WH	Epoxy Finish - WHITE
ENBE360YE	Epoxy Finish - YELLOW



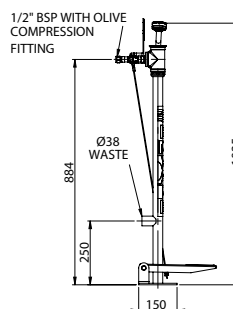
Stainless Steel Free Standing Eye Face Wash Hand/Foot Operated

EFE390	Brushed Stainless Steel Finish
EFE390GR	Epoxy Finish — GREEN
EFE390OR	Epoxy Finish — ORANGE
EFE390WH	Epoxy Finish — WHITE
EFE390YE	Epoxy Finish — YELLOW



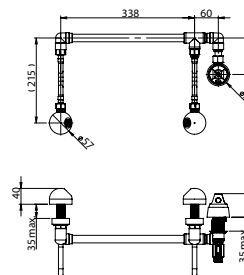
Pedestal Mounted Emergency Hand/Foot Operated Eye/Face Wash — No Bowl

ENBE390	Brushed Stainless Steel Finish
ENBE390GR	Epoxy Finish — GREEN
ENBE390OR	Epoxy Finish — ORANGE
ENBE390WH	Epoxy Finish — WHITE
ENBE390YE	Epoxy Finish — YELLOW



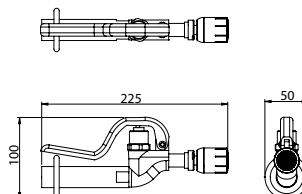
Police Eye wash Wash

EE230	Police Eye Wash Suit Stainless Steel Bench
-------	--



Hand Held Eye Wash/Body Spray — Gun Only (suits EL420/450/540/481)

ESP010



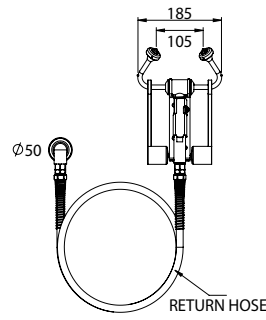
K

emergency showers, eye wash and decontamination

Wall Mounted - Eye/Face Wash Body Spray with Recoil Hose

EL485

Eye and Body Spray with Dual Outlets



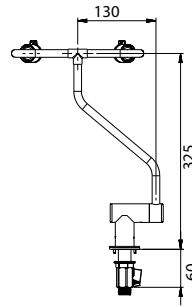
Pull Down Laboratory Eye Wash

EL486

Bench Mounted

EL487

Wall Mounted



Swivel Over Sink Mounted Eye Wash

EL570

Bright Chrome Finish

EL570E

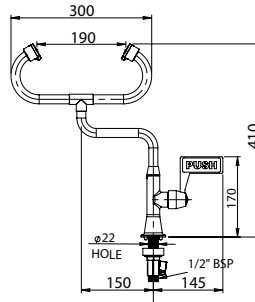
Epoxy Coated Finish

EL570W

Wall Mounted - Bright Chrome Finish

EL570WE

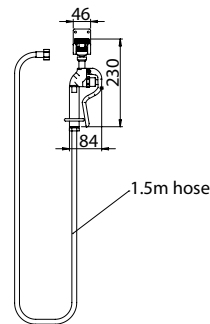
Wall Mounted - Epoxy Coated Finish



Wall Mounted Hand Held Single Aerated Eye Wash/ Body Spray

EL420

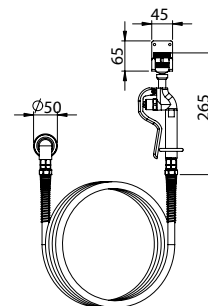
1.5m Stainless Steel Braided Hose



Wall Mounted Hand-Held Single Aerated Eye Wash/ Body Spray

EL450

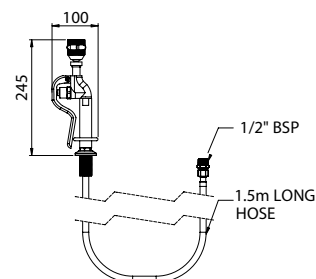
4m Premium Nylon Self-Coiling Hose



Bench Mounted Hand-Held Single Aerated Eye Wash/ Body Spray

EL540

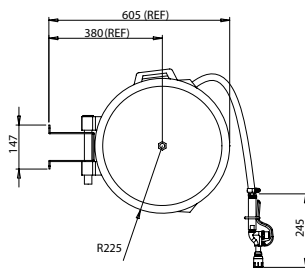
Stainless Steel Braided Hose



**Wall Mounted Hand-Held Single Aerated Eye Wash/
Body Spray**

EL450WR

Retractable Hose and Reel



400 x 300 Vinyl Emergency Eye Wash Sign

ESS501



400x300 Colourbond Emergency Eye Wash Sign

ESS504



**600x450 Colourbond Combination Shower
and Eye Wash Sign**

ESS505



Metal Sign 250 x 250mm

- ESS507 Emergency Shower and Eye Wash
- ESS508 Emergency Eye Wash
- ESS510 Emergency Shower



Vinyl Label 250 x 250mm

- ESS509 Emergency Eye Wash
- ESS511 Emergency Shower
- ESS520 Emergency Shower and Eye Wash

K

emergency showers, eye wash and decontamination

Emergency Shower and Eye Wash Inspection Tag Replacement

ESS521



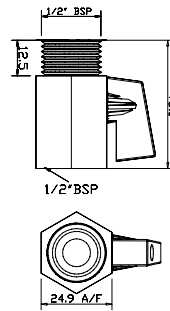
Eye Wash — Aerator & Washer

ESP003



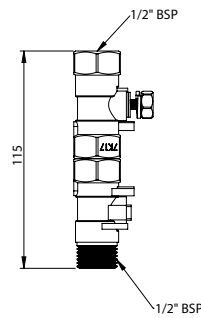
Eye Wash Volume Control 1/2 Inch

ESP004



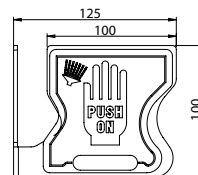
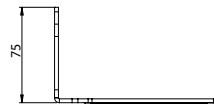
Ball Valve 1/2 Inch Stainless Steel Reduced Bore

ESP005



Eye Wash Push Handle (Old Style — EE, EF, EC Models)

ESP007



Eye Wash - Foot Pedal (Old Style — EE, EF, EC Models)

ESP009



3m Recoil Hose — suits EL450

ESP011



Stainless Steel Braided Hose

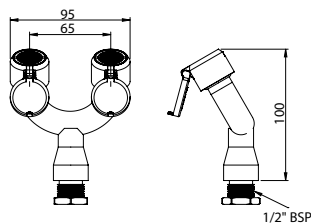
ESP013

1.5m Length - suits EL420/EL540



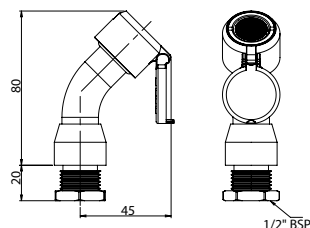
Eye/Face Wash Outlet — Suits EF300 (and superseded EF/EC models)

ESP016



Eye Wash Outlet — Suits EE120 (and superseded EE/EC models)

ESP017



1/16 Inch Grub Screw

ESP018



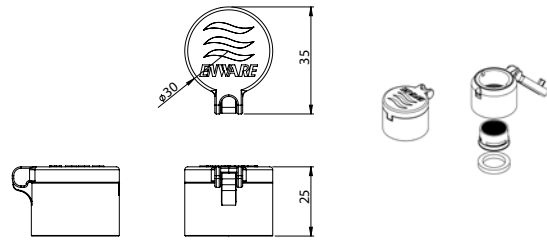
K

emergency showers, eye wash and decontamination

Eye wash Aerator, Housing and Dust Cover (Pair)

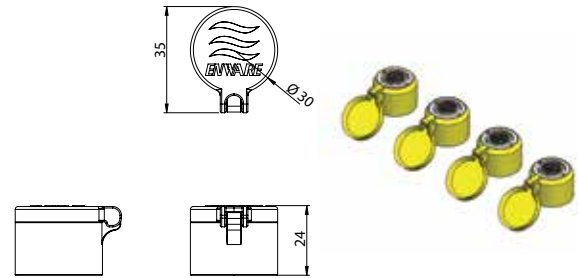
ESP034 Suits EE120 (and superseded EE and EC models) - 2 x Outlets and Dust Covers plus an Anti-Vandal Key

ESP041 Suits EL481 and EL482 - 2 x Outlets and Dust Covers plus an Anti-Vandal Key



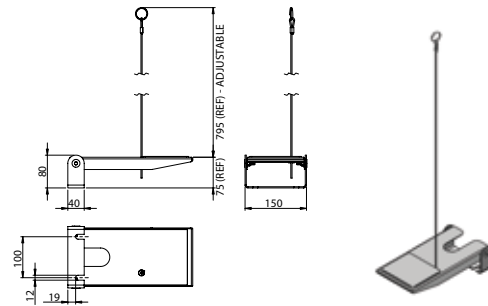
3/8" Eye wash Aerator Kit with Washer, Cover and Anti-Vandal Key - Suits EF300 (and superseded EF and EC models)

ESP036 4 x Outlets and Dust Covers plus an Anti-Vandal Key



ECE/EEE/EFE Foot Op Conversion Kit for Eye Wash

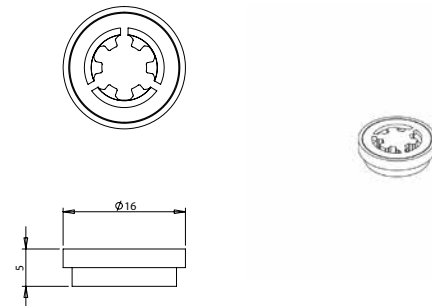
ESPE001 Brushed Stainless Steel Finish



ECE Insert Flow Control for Eye Wash

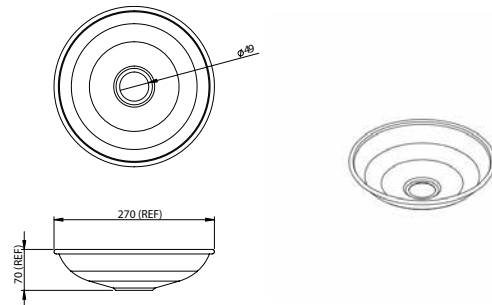
ESPE003 Suits Eye wash Only

ESPE004 Suits Eye/Face Wash



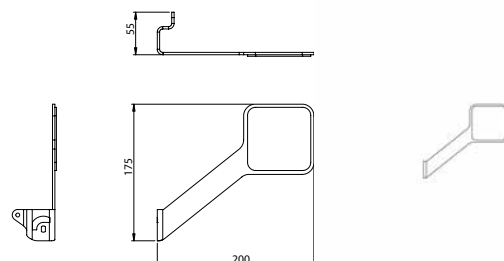
ECE/EEE/EFE Bowl Only

ESPE008 Bowl to Suit ECE Shower



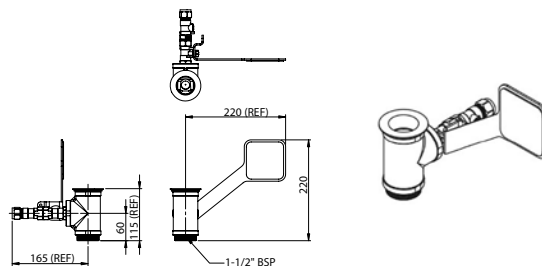
ECE/EEE/EFE Push Handle To Suit Eye and Eye/Face Wash

ESPE010 Push Handle to suit Eye/ Eye-Face Wash Control Valve



ECE Eye/ Eye Face Wash Control Valve with Push Handle & Waste Adaptor Incorporated

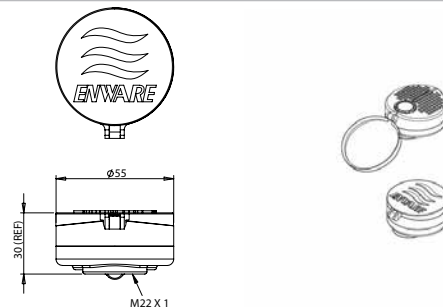
ESPE011



ECE/EFE Eye Face Wash Outlet

ESPE012

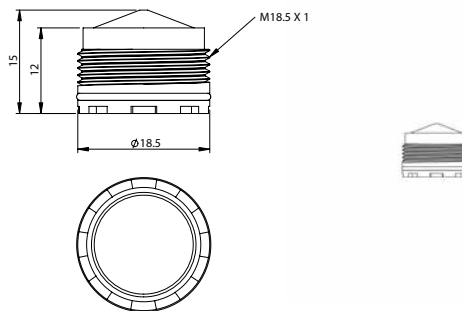
Eye-Face Wash Cover Complete with Aerator (Single)



ECE/EFE Eye Face Wash — Aerator

ESPE013

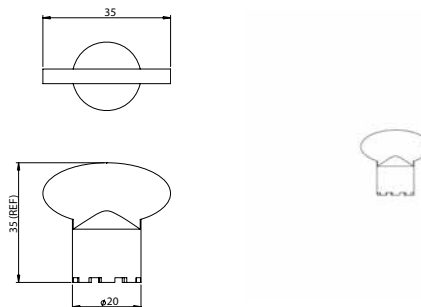
Aerator to Suit Eye/Face Wash Cover Only



ECE/EFE Aerator Key for Eye/Face Wash Only

ESPE014

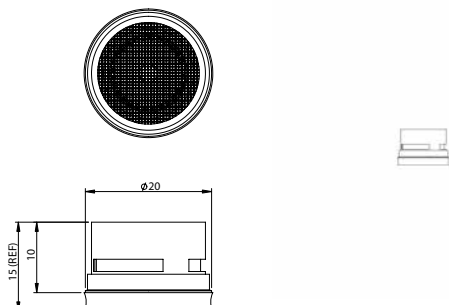
Aerator Key to Suit Eye/Face Wash Cover Only



ECE/EEE Eye Wash — Aerator and Washer

ESPE015

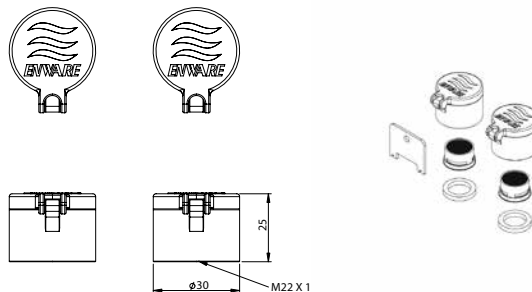
Aerator Kit to Suit Eye wash Only



ECE/EEE Eye Wash — Dust Cover Kit with Aerator

ESPE016

Eye wash Dust Cover Kit Complete with Aerator (Pair)



K

emergency showers, eye wash and decontamination

portable and self contained equipment

Enhance your safety with Enware's range of non-plumbed solutions

Self-Contained or Gravity Fed Eye Wash and Body Spray Units are Enware's non-plumbed solution to enhancing your safety. They can be easily relocated to provide emergency eye wash capability near hazards which helps reduce on-the-job eye injuries and is ideal for sites without plumbing.

GRAVITY FED EYE WASH

- A compact portable gravity fed eye wash unit that provides a full 15 minutes of continuous flow
- To operate fold down the eye wash arm, this activates the water flow and leaves hands free to hold open eyelids for a more effective flush
- Spray outlets are protected from dust, grime and damage by the folded up arm
- Made from FDA green high-density polyethylene, with an orange fold down arm for easy identification
- Moulded handle on top allows easier handling and is designed to fit neatly on the wall-mounting bracket supplied with every unit
- 35 litre tank capacity
- A wide fill opening with threaded cap permits easy inspection, cleaning and filling. Using the ESS200 bacteriostatic preservative allows storage of water for up to a maximum of 6 months
- Supplied complete with: wall bracket and one bottle of bacteriostatic additive to preserve the water

PORTABLE EYE WASH/BODY SPRAY 45L

- 'Soft Spray' flow controlled eye wash outlets
- Stainless steel hand actuator & stay-open ball valve
- Trigger action hand held body spray with 1.5m hose
- Safety pressure relief valve and pressure gauge
- Pressurised by plant or bottle air via tyre filler connection — pressurise to 500kPa (71psi)
- 45L (10G) potable water capacity

Order Code:

EL481 - Eye wash/body spray (pictured)

EL482 - Eye wash only (less body spray — provides 15 minutes flow)

Optional:

TROLLEY

E7301-BK Trolley



Order Code:

EL483

Also available:

ANTI-BACTERIA WATER PRESERVATIVE CONCENTRATE

- One bottle preserves 15 to 70 litres for up to a maximum of 6 months
- Sold in cases of 4



Order Code:

ESS200



tobin eye wash system

Effective, sterile and safe eye washes for industrial use

Tobin's Eye Wash Systems are a well proven, quick and safe way to wash contaminants from the eyes. This specially designed system gives fast application and a volume large enough for most eye accidents.

WITHIN ARMS' REACH

Chemicals in the eye cause serious damage within 1-5 seconds. Washing that begins within a few seconds can be decisive in minimising eye damage.

With Tobin an eye wash bottle can be within arms' reach.

CONTROLLED FLOW

A damaged eye must not be washed with a hard/sharp jet. Tobin's bottles are constructed to empty under natural pressure, giving a soft flow. When the bottom air vent is opened a patient cannot increase the flow by squeezing the bottle.

VOLUME

Uninterrupted washing over a long period is particularly important. Specially designed bottles with opened air vent give 3 minutes of continuous flow. Wall stands for stationary work places or transport stand for mobile units. 1 litre sterile bottles with 3 years shelf life from time of manufacture.



SIMPLE TO USE

1. Break eye wash outlet
2. Open air vent at the base of the bottle
3. Hold eye lid open
4. 3 minutes of continual flow per bottle (1 Litre)

In Australia this system is considered supplementary support and may not replace the need for a primary eye wash station as outlined in AS4775-2007.

WALL STAND — 5 x 1 LITRE BOTTLE

- For stationary work places
- Included 5 Bottles and bracket
39(H) X 45(W) X 10(D)cm

Order Code:
TOB124



TRANSPORT STAND

- Ideal for vehicles carrying contaminants
- Includes 2 x 1litre bottles
34(H) x 20(W) x 10(D)cm

Order Code:
TOB127



WALL STAND — 2 x 1 LITRE BOTTLE

- Suitable when space is a problem and/or eye washes are required in a number of spots in the same area
- Included 2 Bottles and Stand
39(H) X 20(W) X 10(D)cm

Order Code:
TOB129



EYE WASH CABINET

- A dust protected cabinet suitable for all work places, e.g. industries, building sites, mining, storage facilities etc.
- Includes 2 x 1 litre bottles, cabinet and screws
- 35(H) x 25(W) x 11(D)cm

Order Code:
TOB130



POCKET EYE WASH BOTTLE

- Personally carry in pocket
- Enables washing in seconds
- Contains 200ml sterile saline solution

Order Code:
TOB121

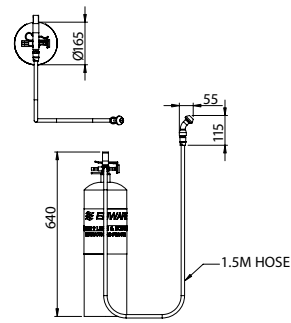


K

emergency showers, eye wash and decontamination

9 Litre Portable Eye & Body Wash – Air Pressurised S/S Tank

EL480



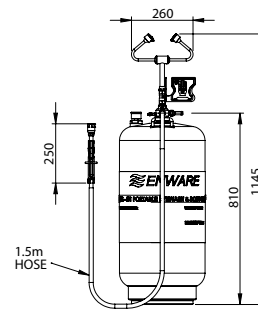
45 Litre Portable Eye wash System – Air Pressurised S/S Tank

EL481

Eye Wash and Hand Held Body Spray

EL482

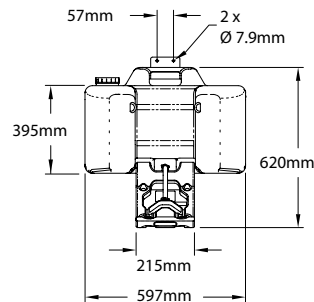
Eye Wash Outlets only - 15 minute Flow



Portable Gravity Fed Eye Wash System

EL483

15 minutes of flow - Incl. Wall Bracket and 1x Anti-Bacterial Concentrate Bottle



Gravity Fed Eye wash Water Preservative Concentrate – 4 Bottles

ESS200

4x Bottles



Tobin Pocket Eye wash Bottle

TOB121

200mL Sterile Saline



Tobin Wall Stand – 5 Bottle System

TOB124

Wall Stand plus 5x 1000mL Sterile Saline Bottles



Replacement Bottles

- TOB126 2x 1000mL Sterile Saline Bottles
- TOB128 5x 1000mL Sterile Saline Bottles



Tobin Transport Stand — 2 Bottle System

- TOB127 Transport Stand plus 2x 1000mL Sterile Saline Bottles



Tobin Wall Stand — 2 Bottle System

- TOB129 Wall Stand plus 2x 1000mL Sterile Saline Bottles



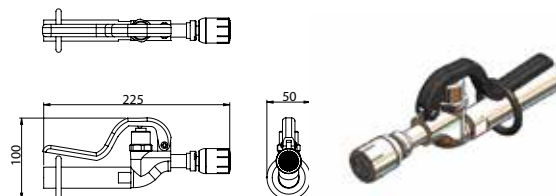
Tobin Eye wash Cabinet

- TOB130 Includes 2 x 1 Litre Eye Wash Bottles, Cabinet and Fixing Screws



Hand Held Eye Wash/Body Spray — Gun Only (suits EL420/450/540/481)

ESP010



Rubber Hose — suits EL480

ESP021



K

emergency showers, eye wash and decontamination

1/2 Inch Stainless Steel Valve & Push Handle

ESP022

Suits Eye and Eye/Face Wash (EE/EF/EC)



400 x 300 Vinyl Emergency Eye Wash Sign

ESS501



400 x 300 Colourbond Emergency Eye wash Sign

ESS504



Metal Sign 250 x 250mm

ESS507

Emergency Shower and Eye Wash

ESS508

Emergency Eye Wash

ESS510

Emergency Shower



Vinyl Label 250 x 250mm

ESS509

Emergency Eye Wash

ESS511

Emergency Shower

ESS520

Emergency Shower and Eye Wash

Emergency Shower and Eye Wash Inspection Tag Replacement

ESS521



decontamination and multi-spray showers

Our range of decontamination and multi-spray showers are designed with maximum coverage as the main objective to ensure maximum protection.

- For decontamination where hazardous substances are used
- Multi-sprays for maximum coverage
- Highest quality components ensure reliability
- Stainless steel construction for maximum durability and reliability

Inlet Connection: 32mm (1 1/4") BSP NPT and flange connections available for petro-chemical and offshore applications Mounting: Floor Flange

FREE STANDING PLATFORM OPERATED MULTI-SPRAY SHOWER

- 16 Multi-spray outlets
- Step on operation
- Two side panels for walk through decontamination
- Stepping on platform activates shower

Order Code:

EM630

Side Panels can be Powder Coated in: Green, White, Yellow and Orange.

PORTABLE HAZCHEM DECONTAMINATION SHOWER

- Space-saving design
- Stores easily when not in use
- Quick and easy to assemble
- Folds up for easy transportation and storage
- Weight 25kg

Order Code:

EM810 - 6 spray (pictured)

EM840 - 24 spray also available



EM630 pictured



K

emergency showers, eye wash and decontamination

FREE STANDING PLATFORM OPERATED MULTI-SPRAY SHOWER WITH HAND OPERATED EYE/FACE WASH

- 16 Multi-spray outlets
- Three side panels
- Step on shower activations
- Hand operated eye/face wash

Order Code:

EM690

Side Panels can be Powder Coated in: Green, White, Yellow and Orange.



EM690 pictured

FREE STANDING DUAL PLATFORM OPERATED MULTI-SPRAY SHOWER & EYE/FACE WASH

- 16 Multi-spray outlets
- Three side panels

Order Code:

EM900

Side Panels can be Powder Coated in: Green, White, Yellow and Orange.

Also available:

FREE STANDING
DUAL PLATFORM OPERATED
MULTI-SPRAY SHOWER & EYE/FACE
WASH WITH AUDIBLE/VISUAL
ALARM & FLOW SWITCH

Order Code:

EM930



EM930 pictured

FREE STANDING HAND OPERATED MULTI-SPRAY SHOWER & EYE/FACE WASH

- 16 Multi-spray outlets
- Three side panels
- Hand operated eye/face wash

Order Code:

EM660

Side Panels can be Powder Coated in: Green, White and Orange.

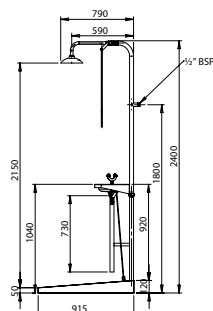


EM660 pictured

NOTE: All bulk cubic freight items in this section do not include free shipping.

Free Standing Hand Operated Shower & (Inclined) Platform Op Eye/Face Wash

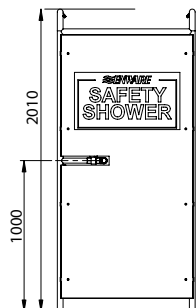
ECP100



Free Standing Hand Operated Multi-Spray Shower – 16 Spray (2 Side Panels - Walk-thru)

EM600

Standard



Platform Operated Multi-Spray Shower – 16 Spray (2 Side Panels - Walk-thru)

EM630

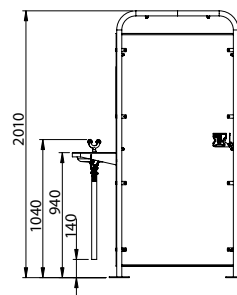
Standard



Free Standing Hand Operated Multi-Spray Shower – 16 Spray & Hand Op Eye/Face Wash (3 Panel)

EM660

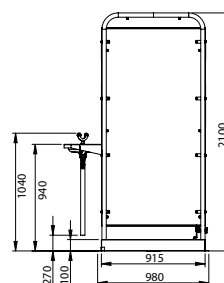
Standard



Platform Operated Multi-Spray Shower – 16 Spray & Hand Op Eye/Face Wash (3 panels)

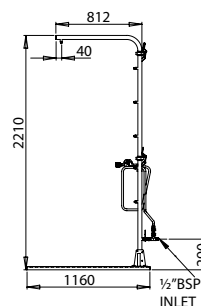
EM690

Standard



Stainless Steel Portable Hazchem Decontamination System

EM810



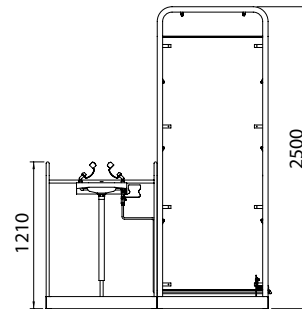
K

emergency showers, eye wash and decontamination

Dual Platform Operated Multi-Spray Shower — 16
Spray & Platform Operated Eye/Face Wash

EM900

Standard



400 x 300 Vinyl Emergency Eye Wash Sign

ESS501



400 x 300 Vinyl Emergency Shower Sign

ESS502



400 x 300 Colourbond Emergency Shower Sign

ESS503



400 x 300 Colourbond Emergency Eye Wash Sign

ESS504



600 x 450 Colourbond Combination Shower
and Eye Wash Sign

ESS505



Metal Sign 250 x 250mm

ESS507	Emergency Shower and Eye Wash
ESS508	Emergency Eye Wash
ESS510	Emergency Shower



Vinyl Label 250 x 250mm

ESS509	Emergency Eye Wash
ESS511	Emergency Shower
ESS520	Emergency Shower and Eye Wash

Emergency Shower and Eye Wash Inspection Tag Replacement

ESS521



Spray Nozzle For EM Series

ESP025 Standard



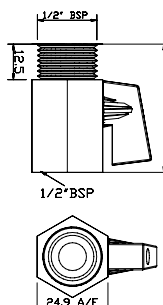
Eye Wash — Aerator & Washer

ESP003



Eye Wash Volume Control 1/2 Inch

ESP004



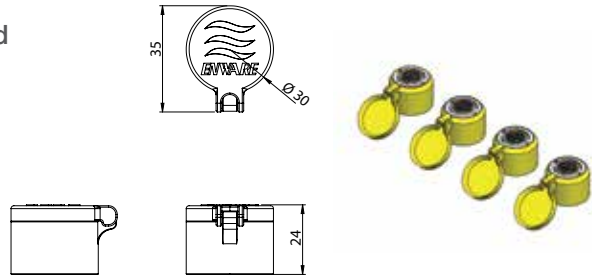
K

emergency showers, eye wash and decontamination

3/8" Eye wash Aerator Kit with Washer, Cover and Anti-Vandal Key – Suits EF300 (and superseded EF and EC models)

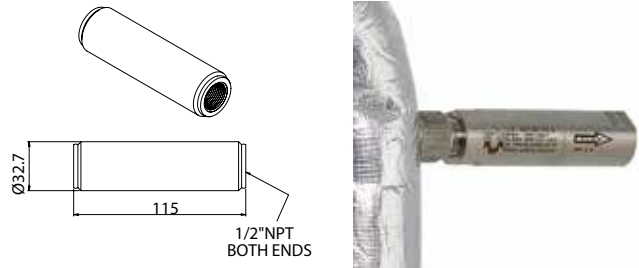
ESP036

4 x Outlets and Dust Covers
plus an Anti-Vandal Key



Thermal Relief Valve

EAA970



Anti-Freeze Valve

EAA971

Insulation

ESS100

Thermal Reflective Insulation (Fitted)

ESS101

Aluminised Tape for Insulation (50m Roll)

ESS102

Reflective Insulation Tubing - 2m

