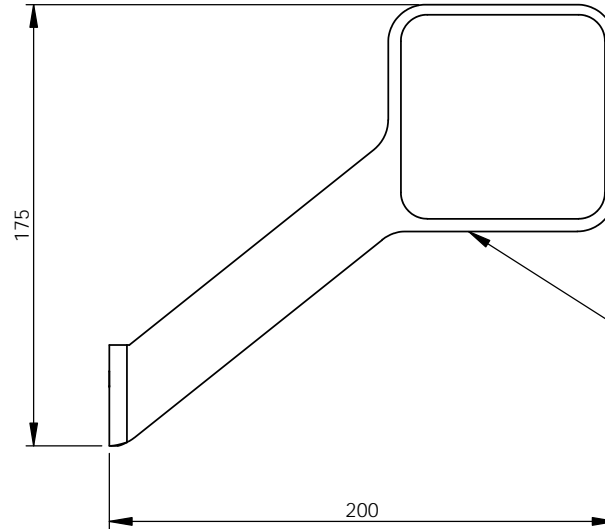
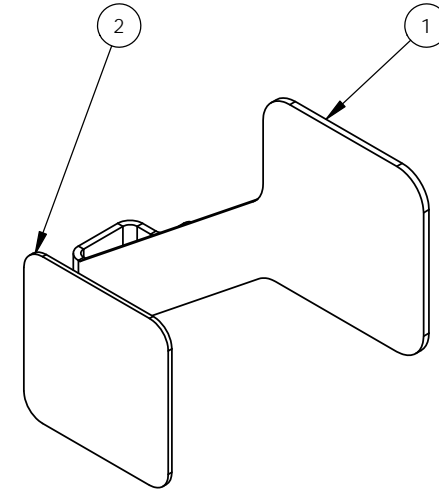
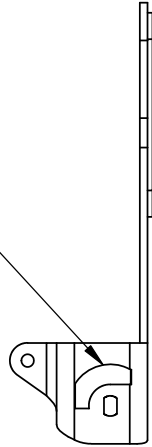


| ITEM NO. | PART NUMBER | DESCRIPTION | QTY. |
|----------|-------------|--|------|
| 1 | 886146 | HANDLE/SUIT CONTROL VALVE EPO YELLOW ECE | 1 |
| 2 | 672288 | STICKER PUSH HANDLE ECE SHOWER | 1 |



OPENING TO SUIT
ENWARE SAFETY
SHOWER EYEWASH
CONTROL VALVE



| REV | DATE | CN | AMENDMENTS | MODIFIED BY |
|-----|----------|----|-------------|-------------|
| A | 21/03/12 | | FIRST ISSUE | |
| | | | | |
| | | | | |
| | | | | |
| | | | | |

GENERAL NOTES:
REMOVE ALL BURRS AND SHARP EDGES UNLESS OTHERWISE STATED
DIMENSIONS ARE IN mm's
TOLERANCE EXCEPT WHERE STATED:
NO DECIMAL POINT \neq 5
ONE DECIMAL PLACE \neq 0.1
TWO DECIMAL PLACES \neq 0.05
ANGLES \neq 1

ENWARE RESERVES THE RIGHT TO AMEND PRODUCT SPECIFICATIONS AND DESIGNS WITHOUT NOTICE.

| | | | |
|---|----|--|--------------|
| DRAWN | KN | 9 Endeavour Rd, Caringbah, NSW, 2229 Ph. 61-2-9525-9511 Fax. 61-2-9524-8421 | |
| CHECKED | | | |
| APPROVED | | | |
| TITLE: ECE PUSH HANDLE TO SUIT EYE/FACE CONTROL | | | |
| Scale: Not To Scale | | Scale: Not To Scale | |
| MATERIAL: | | | |
| FINISH: POWDERCOATED YELLOW | | | |
| This drawing is the Copyright of Enware Australia Pty Ltd and may not be reproduced in full or part without the written consent of Enware Australia Pty Ltd | | DWG NO. | SHEET 1 OF 1 |
| | | ESPE010 | |