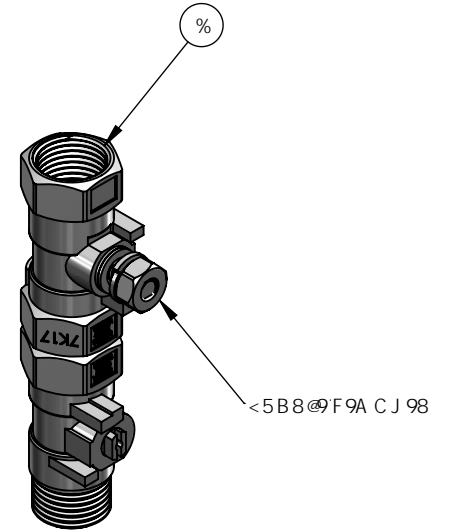
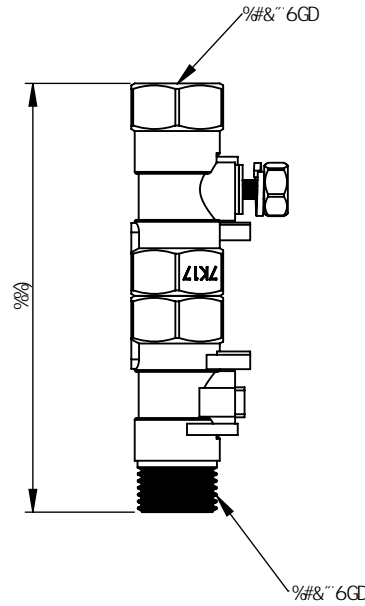
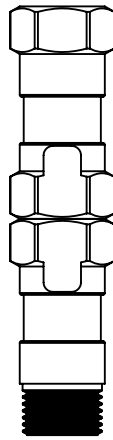


#9A 'BC "	D5FHBI A 69F	8 9G7 F 4HC B	E HM
%	+ - & ) ++	J 5 @ 9 65 @ 7 C B H C @ J 5 @ 9 G G	%



F9J	85H9	7B	5A A 9B8A 9BH	A C 8 = 98 6M
5	%* # \$ * # \$(		: FGH-GI 9	
6	% # \$( # % \$		B9K '89G= BZBCK '7CA 9-B '5G8CI 6@7CBHFC@J5@9K #k '<5B8@	?B
7	& # \$ - # % \$		+ - & ) ++ K 5G+ - \$ & ( (ZBCK '65@J5@ 9'CB@M	GA

9B9F5@BCHG  
 F9A C J 95 @ 61 FFG5B8  
 G-5FD 98: 9GI B @ 9G  
 C H: 9FK @ 9GH98  
 8 A 9BGC BG5F9-B a a @  
 H C @ F 5 B 7 9 L 7 9 D H K < 9 F 9 G 5 H 9 8 .  
 BC 897 A 5 @ DC BH ..... / \$ %  
 C B 9 8 9 7 A 5 @ D @ 5 7 9 ..... / \$ %  
 H K C 8 9 7 A 5 @ D @ 5 7 9 G ..... / \$ %  
 5B: @G ..... / %  
 9BK 5F9F99FJ 9GH: 9F= <HC 5A 9B8 DFCBI 7H  
 Q97 = 7 5HC BG5B8 89= BGK #k CI HBC H 9

8F5K B	D?	- 9bXYUj ci fFXZ 7 Ufj b[ VU\zBGK z&&- D\ "" * 9& l - ) & l - ) % % 5DDFC J 98 : UI "" * 9& l - ) & l , ( & %	
HH@: 65@J 5@ 9': : <5@ 'B7 <GC B9D-97 9 GWU.Y .BchH: GWU.Y A 5H9F 5@ : B G<. H j g X f U k b l j g h Y 7 c d m f j \ h c z 9 b k U Y 5 i g f U j U D m @ X U b X a U m b c h Y Y f d f c X i W X j a z c f d U h k h c i h h Y k j h Y b V e b g f b h c z 9 b k U Y 5 i g f U j U D m @ X			
			8K : 'BC " G< 99H% C : % <b>9GD\$\$)</b>