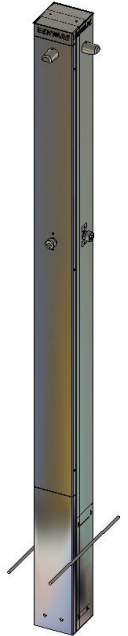


# Two Way 90 Degree Stainless Steel Column Shower

Enware's stainless steel column showers have proven durability with a vandal resistant design and water efficient time flow technology for automatic shut off to reduce water wastage.

Ideal for outdoor beach front and swimming pool applications.

## ECS200A



### FEATURES

- Manufactured from 316 grade 2mm stainless steel
- Stainless surface finish is a 2B general purpose finish
- Chrome plated brass fittings
- Includes integral 3/4" isolation valve and 3/4" Pressure Limiting Valve
- Time flow (shower duration) pre-set to 15 seconds ( $\pm 5$ ), flow rate is adjustable at the time flow valve
- Access panel fixed using vandal proof security screw. (Removable for servicing using torx key)
- Time flow cartridge is serviceable using either TFC790 cartridge assembly or TFC797 service kit.

### Product Codes

**ECS200A** One Way 90° Stainless Steel Column Shower  
15 seconds ( $\pm 5$ ) flow time

### Technical Information

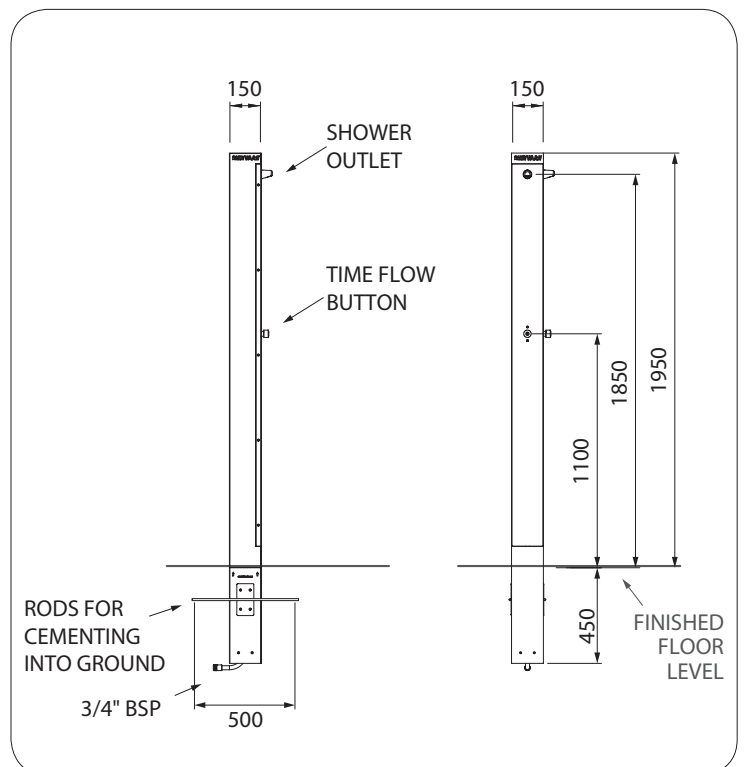
Inlet Connection	3/4" BSP
Recommended Working Pressure	350 kPa
Operating Working Pressure	50 - 500 kPa
Flow Rate	8 l/m

Enware tapware must be installed in accordance with the provisions of AS/NZS3500 and any relevant local regulations. Installations not complying with AS/NZS3500 may void the product and performance warranty provisions.

The performance of Enware AS/NZS 3718 tapware, in many cases, exceeds the plumbing system design requirements of the Plumbing Code of Australia and AS/NZS 3500.



\*WELS 3 Star Rating Efficiency Rating applies to the Beach Shower Outlet (VP310)



Version: Oct 17

Call 1300 369 273  
www.enware.com.au

Enware Australia Pty Limited  
9 Endeavour Rd Caringbah NSW 2229 Australia  
Ph: 02 8536 4000 Fax: 02 8556 4055

