

Gaol Cistern Push-Rod Assembly

DLB601

The water efficient Detention tapware series have been designed to provide a high level of security with the inclusion of vandal resistant features. The Detention range is constructed from dezincification resistant (DR) brass.

Incorporated is a smooth clean line chrome plated finish, which eliminates horizontal surfaces. The conical push button unit activates an induct cistern (not supplied) or valve. Anti rotation pins are incorporated to inhibit tampering

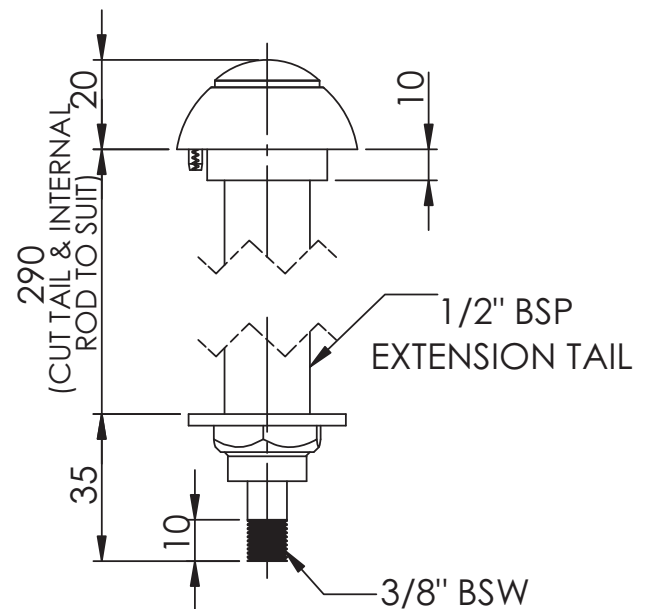
FEATURES

- Suits Stainless Steel Fixtures
- Anti-ligature design



Product Codes

DLB601 Gaol Cistern Push-Rod Assembly



Version: DEC13

Call 1300 369 273
www.enware.com

Enware Australia Pty Limited
9 Endeavour Rd Caringbah NSW 2229 Australia
Ph: 02 8536 4000 Fax: 02 8556 4055


installing confidence