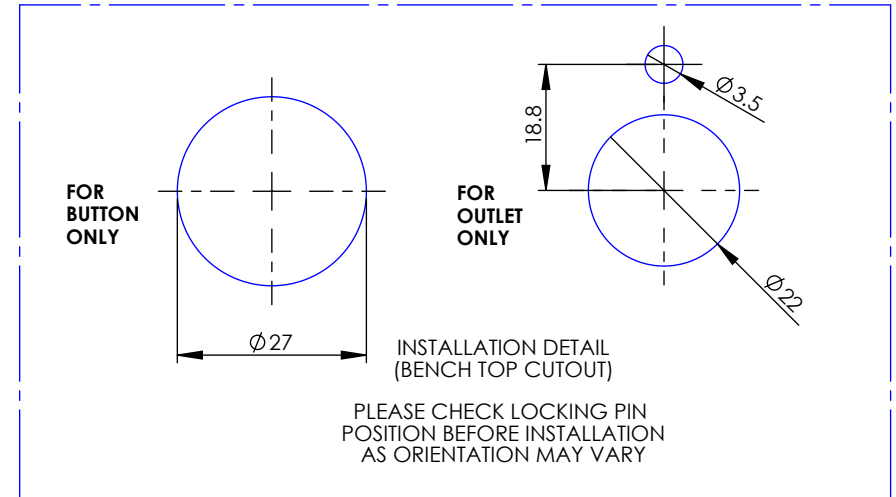
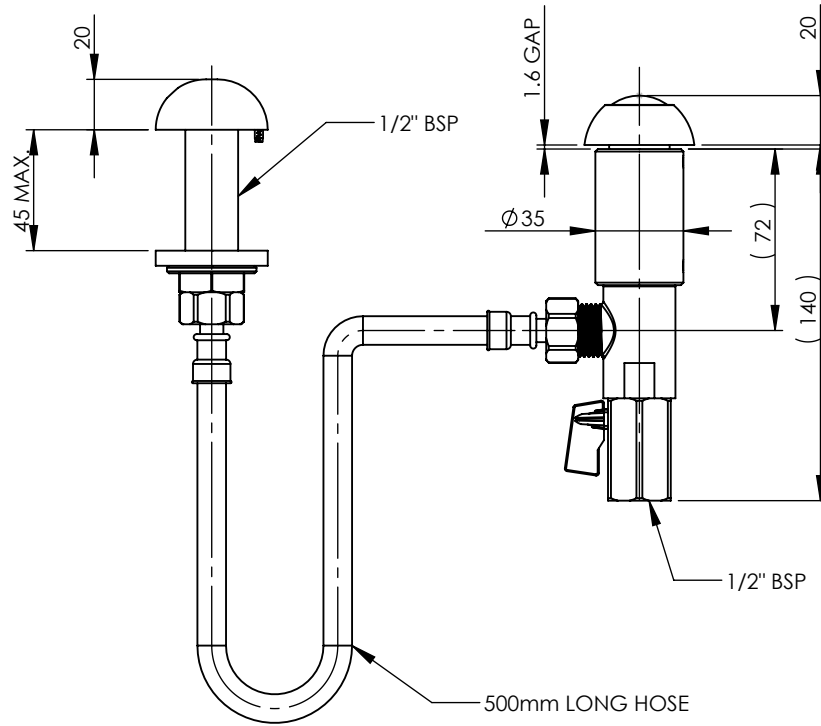
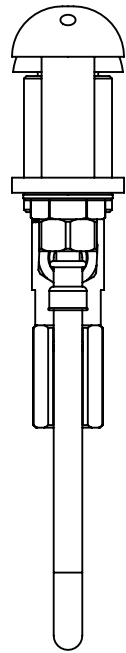
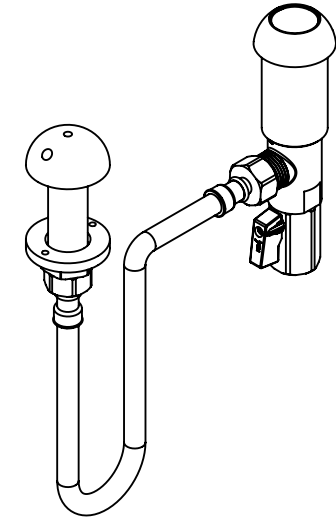
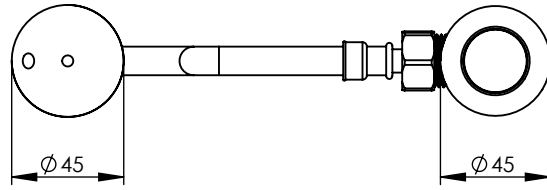


A

B

C

D



ENWARE RESERVES THE RIGHT TO AMEND PRODUCT SPECIFICATIONS AND DESIGNS WITHOUT NOTICE

**GENERAL NOTES:**

- DIMENSIONS ARE IN mm's
- DO NOT SCALE OFF DIMENSIONS
- TAPWARE TOLERANCE / 2 (EXCEPT WHERE STATED)
- SAFETY SANITARY AND CARE TOLERANCE / 5 (EXCEPT WHERE STATED)

This drawing is the property of Enware Australia Pty Ltd and may not be reproduced in full or part without the written consent of Enware Australia.



DRAWN	AM
CHECKED	TD
APPROVED	TD

**ENWARE**

9 Endeavour Rd,  
Caringbah, NSW, 2229

Ph. +61 2 8536 4000  
Email: info@enware.com.au

DRAWING NUMBER: DET687

REV: E.0

DESCRIPTION: C/CELL P/BUT. & BSN ASSY STD.

FINISH: CHROME PLATED

SIZE: A4

SCALE: 1:3

A

B

C

D