

# Detention Push Button & Basin Outlet Assembly - Straight Body To Suit Spring Action

## DET685

The water efficient Detention tapware series have been designed to provide a high level of security with the inclusion of vandal resistant features. The Detention range is constructed from dezincification resistant (DR) brass.

Incorporated is a smooth clean line chrome plated finish, which eliminates horizontal surfaces. The conical push button unit will activate a self-closing spring action.

Features:

- Suits Stainless Steel Fixtures
- Anti-ligature design
- Anti rotation pins are incorporated to inhibit tampering
- Available options in Time Flow

### Product Codes

**DET685** Spring Action



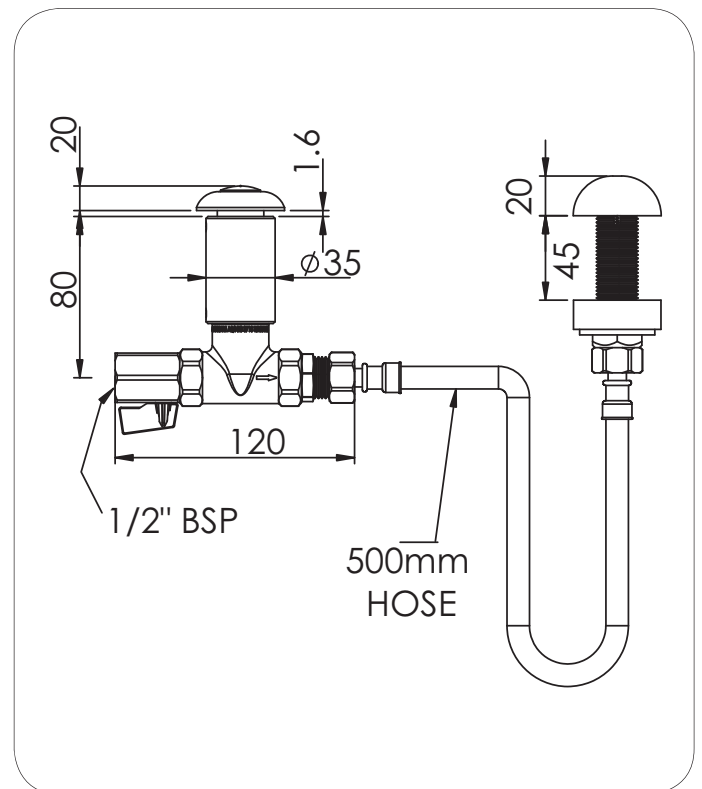
### Technical Information

Spring Action - Static Pressure Range	30-1200kPa
Recommended Working Pressure Range	100-500kPa Max (PCA)*
Maximum Working Temperature*	Spring Action - 85°C

\*Enware products are to be installed in accordance with AS/NZS3500.

Heated Water Supply AS/NZS 3500.4: For all sanitary fixtures used primarily for personal hygiene purposes are to deliver heated water not exceeding:

- 45°C for early childhood centres, primary and secondary schools and nursing homes or similar facilities for young, aged care, sick people with disabilities (43.5°C - NSW Code of Plumbing Practice)
- 50°C in all other buildings



Version: DEC13

Call 1300 369 273  
www.enware.com

Enware Australia Pty Limited  
9 Endeavour Rd Caringbah NSW 2229 Australia  
Ph: +61 2 8556 4000 Fax: +61 2 8556 4055

**ENWARE**  
installing confidence