

Detention Shower Ceiling Mounted - Shower Rose with Female 1/2" Inlet

DET664

The water efficient Detention tapware series have been designed to provide a high level of security with the inclusion of vandal resistant features. The Detention range is constructed from dezincification resistant (DR) brass.

Incorporated is a smooth clean line chrome plated finish, which eliminates horizontal surfaces. An anti rotation pin is incorporated to inhibit tampering.

Features:

- Anti-rotation pin
- Extended tail to suit thickness up to maximum 255mm
- Anti-ligature design



Product Codes

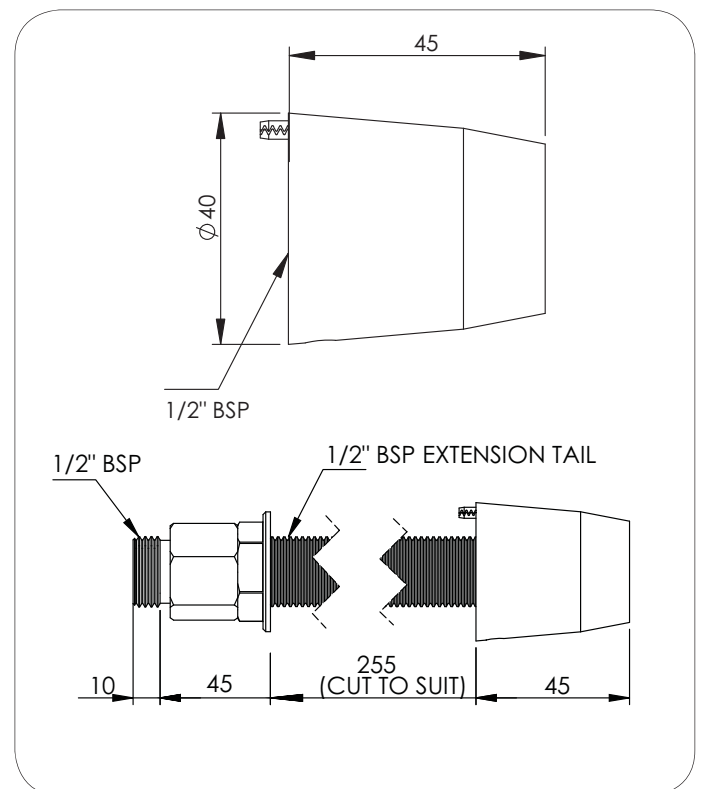
DET664	Shower Rose with Female 1/2" Inlet
DET665	Shower Rose with extended tail

Technical Information

Inlet Connection	Female 1/2" BSP (15mm)
Pressure to achieve 3 star WELS	150 - 500 kPa
Maximum Working Pressure (AS/NZS3500)*	500 kPa - inside building
Maximum Water Temperature	70°C

Enware products are to be installed in accordance with the provisions of AS/NZS3500.4: For all sanitary fixtures used primarily for personal hygiene purposes are to deliver heated water not exceeding:

- 45°C for early childhood centres, primary and secondary schools, nursing homes or similar
- 50°C in all other buildings



Version: DEC13

Call 1300 369 273
www.enware.com

Enware Australia Pty Limited
9 Endeavour Rd Caringbah NSW 2229 Australia
Ph: +61 2 8556 4000 Fax: +61 2 8556 4055

ENWARE
installing confidence