

# Detention Conical Shower Wall Mounted - Shower Rose with Female 1/2" Inlet

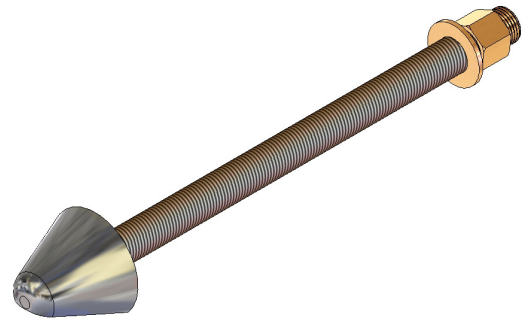
## DET661

The water efficient Detention tapware series have been designed to provide a high level of security with the inclusion of vandal resistant features. The Detention range is constructed from dezincification resistant (DR) brass.

Incorporated is a smooth clean line chrome plated finish, which eliminates horizontal surfaces. An anti rotation pin is incorporated to inhibit tampering.

### FEATURES:

- Anti-rotation pin
- Optional extended tail to suit wall thickness up to 280mm
- Anti-ligature design
- Watermark Licensed to AS/NZS 3718
- Designed to suit wall thickness up to 210mm



### Product Codes

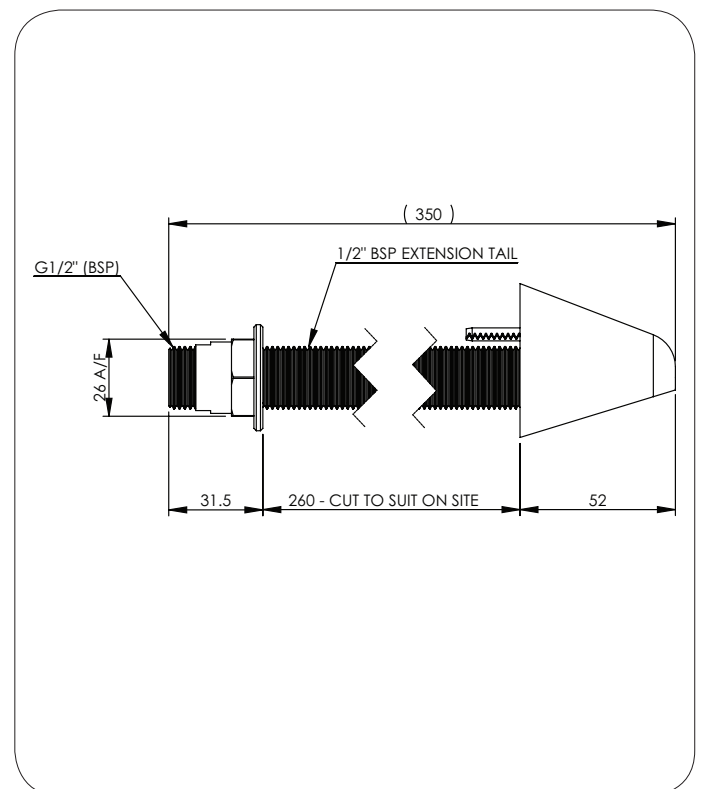
**DET661** Shower Rose with extended tail

### Technical Information

Inlet Connection	Male 1/2" BSP (15mm)
Pressure to achieve 3 star WELS	150 - 500 kPa
Maximum Working Pressure (AS/NZS3500)*	500 kPa - inside building
Maximum Water Temperature	70°C

Enware products are to be installed in accordance with the provisions of AS/NZS3500.4: For all sanitary fixtures used primarily for personal hygiene purposes are to deliver heated water not exceeding:

- a) 45°C for early childhood centres, primary and secondary schools, nursing homes or similar
- b) 50°C in all other buildings



Version: Aug18

**Call 1300 369 273**  
**www.enware.com**

Enware Australia Pty Limited  
9 Endeavour Rd Caringbah NSW 2229 Australia  
Ph: 02 8536 4000 info@enware.com.au

