

A

B

C

D

1

1

2

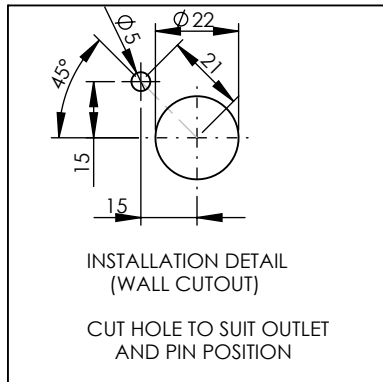
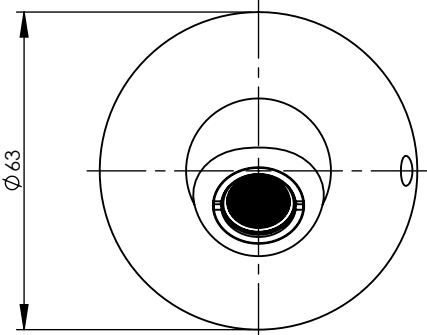
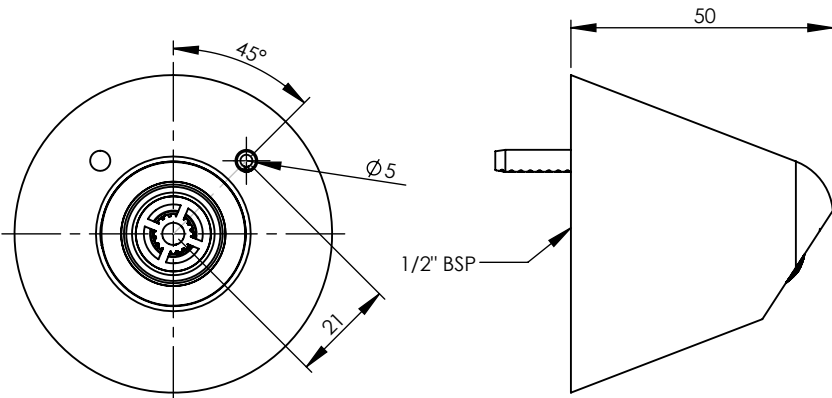
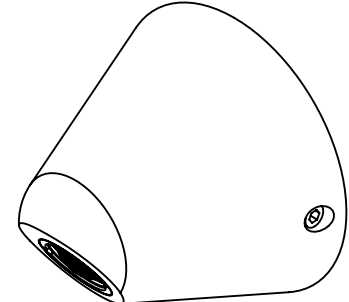
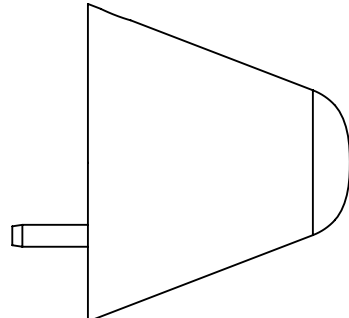
2

3

3

4

4



GENERAL NOTES:
 - REMOVE ALL BURRS AND SHARP EDGES UNLESS OTHERWISE STATED
 - ALL THREADS TO BE CHAMFERED
 - DIMENSIONS ARE IN mm's
 - DO NOT SCALE OFF DIMENSIONS

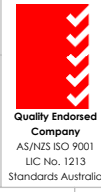
DRAWN	AM
CHECKED	YK
APPROVED	LR



9 Endeavour Rd,
 Caringbah, NSW, 2229
 Ph. 61-2-9525-9511
 Fax. 61-2-9524-8421

TOLERANCE EXCEPT WHERE STATED:
 NO DECIMAL POINT / 2
 ONE DECIMAL PLACE / 1
 ANGLES / 1°

This drawing is the property of Enware Australia Pty Ltd and may not be reproduced in full or part without the written consent of Enware Australia.



TITLE
DET. BATH SPOUT A.V. AERATOR

DRAWING NUMBER: DET660B

FINISH:	.	.
SIZE: A4	SCALE: 1:1.5	SHEET: 1 OF 2

REVISION				
REV.	DATE	ECN	DESCRIPTION	MODIFIED BY
D	09/11/12	2713	REPOSITIONED 5MM PIN HOLE ON INSTALLATION DETAIL WALL CUTOUT	EK

A

B

C

D