

Detention Push Button Basin Assembly Extended

DET650

The water efficient Detention tapware series have been designed to provide a high level of security with the inclusion of vandal resistant features. The Detention range is constructed from dezincification resistant (DR) brass.

Incorporated is a smooth clean line chrome plated finish, which eliminates horizontal surfaces. The push button unit activates a self-closing or time flow valve as specified.

FEATURES:

- To suit wall thickness up to 280mm
- Anti-ligature design
- smooth clean line chrome plated finish, which eliminates horizontal surfaces.



Product Codes

DET650	Self Closing Spring Action
DET651	Timed Flow 15 Seconds ^ *
DET653	Timed Flow 30 Seconds*

^ Also available in 3 or 7 second * delay - Specify when ordering
* Flow times are indicative only and may vary depending on water supply pressure and flow conditions.

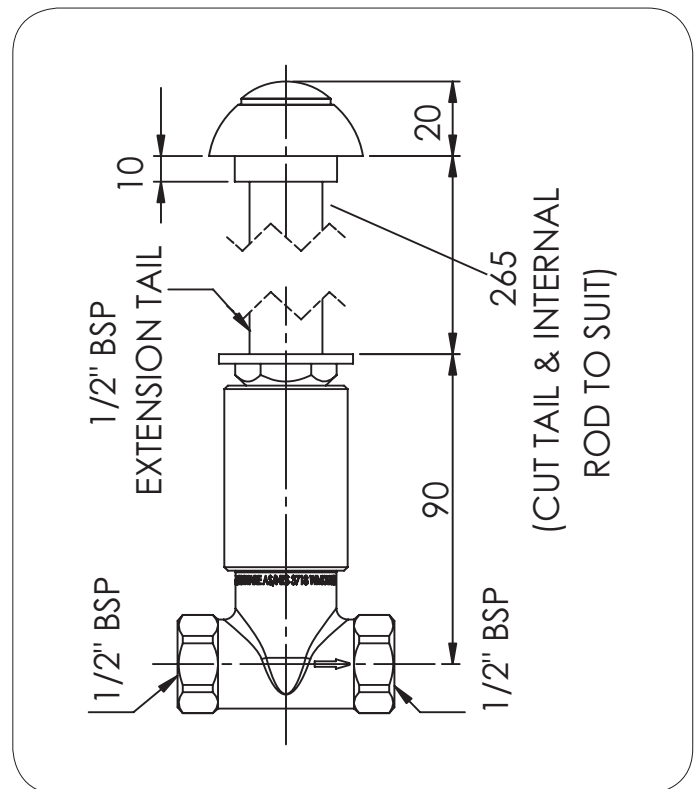
Technical Information

Spring Action - Static Pressure Range	30-1200kPa
Recommended Working Pressure Range	100-500kPa
Time Flow - Working Pressure Range	50-500kPa Max
Recommended Working Pressure Range	250-350kPa for optimum performance
Maximum Working Temperature	Spring Action - 85°C
	Time Flow - 50°C

Enware products are to be installed in accordance with the Plumbing Code of Australia and AS/NZS3500.

Reference should also be made to the Australasian Health facility Guidelines (AHFG), ABCB and Local Government regulations when considering the choice of, and the installation of these products.

NOTE: Enware Australia advises: 1. Due to ongoing Research and Development, specifications may change without notice. 2. Component specifications may change on some export models.



Version: Jan20

Call 1300 369 273
www.enware.com

Enware Australia Pty Limited
9 Endeavour Rd Caringbah NSW 2229 Australia
Ph: 02 8536 4000 info@enware.com.au

