

Detention Single Control Shower Module

DET648

The water efficient Detention tapware series have been designed to provide a high level of security with the inclusion of vandal resistant features. The Detention range is constructed from dezincification resistant (DR) brass.

Incorporated is a smooth clean line chrome plated finish, which eliminates horizontal surfaces. The conical handle utilises a ceramic disc quarter turn valve. Anti rotation pins are incorporated to inhibit tampering.

Features:

- Single control - warm or cold specify when ordering
- Stainless steel mounting plate
- Integrated soap holder
- Watermark Licensed to AS/NZS 3718

Product Codes

DET648 Detention Shower Unit - Warm or Cold



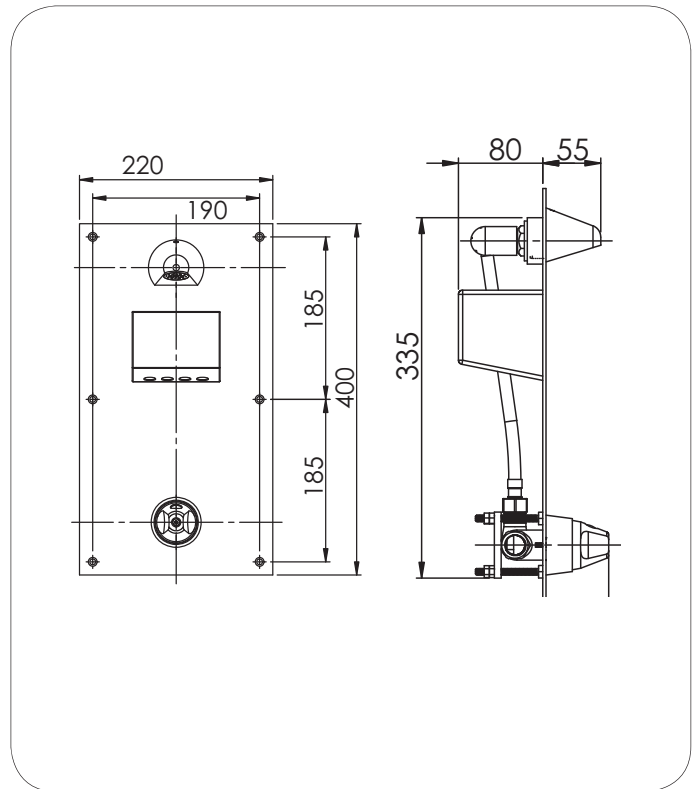
Technical Information

Working Pressure Range	50-800kPa
Ceramic Disc	500kPa Max (PCA)*
Maximum Working Temperature*	Ceramic Disc - 85°C

*Enware products are to be installed in accordance with AS/NZS3500.

Heated Water Supply AS/NZS 3500.4: For all sanitary fixtures used primarily for personal hygiene purposes are to deliver heated water not exceeding:

- 45°C for early childhood centres, primary and secondary schools and nursing homes or similar facilities for young, aged care, sick people with disabilities (43.5°C - NSW Code of Plumbing Practice)
- 50°C in all other buildings



Version: DEC13

Call 1300 369 273
www.enware.com

Enware Australia Pty Limited
9 Endeavour Rd Caringbah NSW 2229 Australia
Ph: +61 2 8556 4000 Fax: +61 2 8556 4055


installing confidence