

Detention Basin Outlet – Suits Flow Rates of 4 to 8Lpm

DET619

The water efficient Detention tapware series have been designed to provide a high level of security with the inclusion of vandal resistant features. The Detention range is constructed from dezincification resistant (DR) brass.

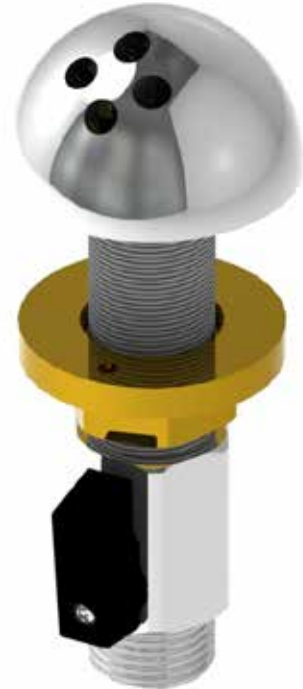
Incorporated is a smooth clean line chrome plated finish, which eliminates horizontal surfaces. An anti rotation pin is incorporated to inhibit tampering.

Features:

- Suits flow rates of 4 to 8 litres per minute for cold or warm water supplied via a TMV
- smooth clean line chrome plated finish, which eliminates horizontal surfaces
- Anti-ligature design

Product Codes

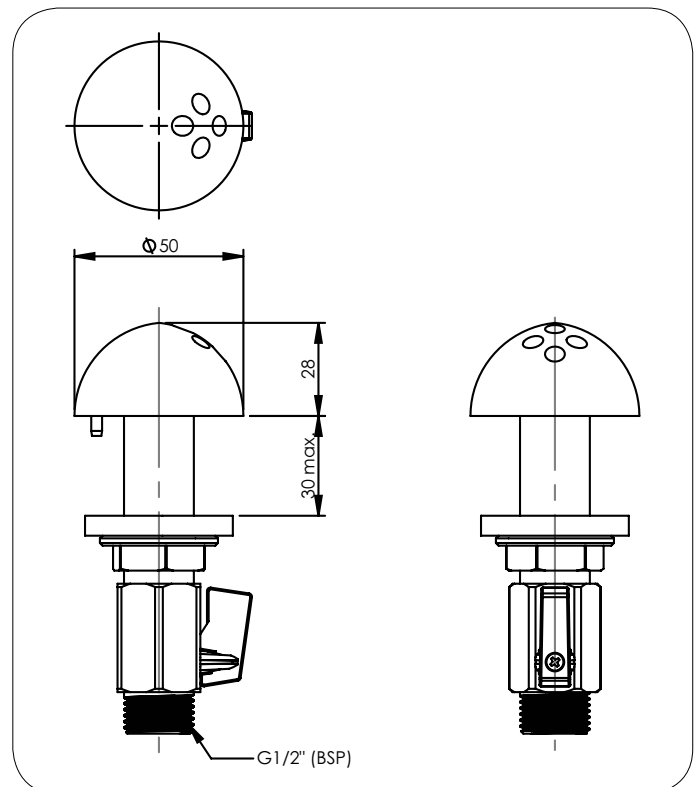
DET619 Detention Basin Outlet Warm or Cold



Technical Information

Inlet Connection	15 mm (1/2") BSP
Maximum Working Pressure (AS/NZS 3500)*	500 kPa*

*Enware products are to be installed in accordance with AS/NZS3500. Heated Water Supply AS/NZS 3500.4: For all sanitary fixtures used primarily for personal hygiene purposes are to deliver heated water not exceeding:
a) 45°C for early childhood centres, primary and secondary schools and nursing homes or similar;
b) 50°C in all other buildings.



Version: Aug 15

Call 1300 369 273
www.enware.com.au

Enware Australia Pty Limited
9 Endeavour Rd Caringbah NSW 2229 Australia
Ph: +61 2 8556 4000 Fax: +61 2 8556 4055


installing confidence