

Detention Basin/Bubbler Outlet – Suits Flow Rates Below 4Lpm

DET617

The water efficient Detention tapware series have been designed to provide a high level of security with the inclusion of vandal resistant features. The Detention range is constructed from dezincification resistant (DR) brass.

Incorporated is a smooth clean line chrome plated finish, which eliminates horizontal surfaces. An anti rotation pin is incorporated to inhibit tampering.

FEATURES:

- Integrated flow control valve allowing for in-situ adjustment to flow pattern
- Suits flow rates below 4 litres per minute
- Smooth clean line chrome plated finish, which eliminates horizontal surfaces
- Anti-ligature design



Product Codes

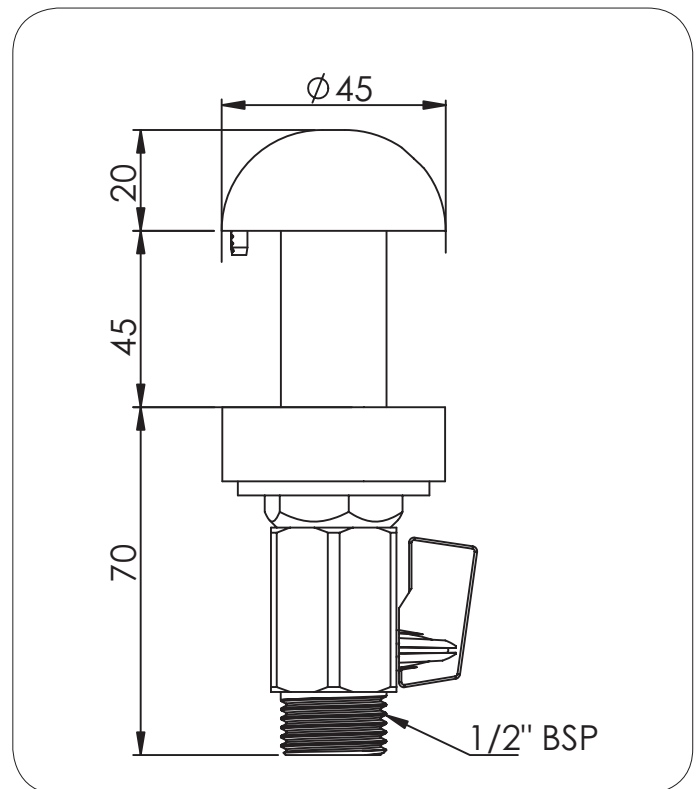
DET617 Detention Basin/Bubbler Outlet

Technical Information

Inlet Connection	15 mm (1/2") BSP
Maximum Working Pressure (AS/NZS 3500)*	500 kPa*

Enware products are to be installed in accordance with the Plumbing Code of Australia and AS/NZS3500. Reference should also be made to the Australasian Health facility Guidelines (AHFG), ABCB and Local Government regulations when considering the choice of, and the installation of these products.

NOTE: Enware Australia advises: 1. Due to ongoing Research and Development, specifications may change without notice. 2. Component specifications may change on some export models.



Version: Mar 19

Call 1300 369 273
www.enware.com.au

Enware Australia Pty Limited
 9 Endeavour Rd Caringbah NSW 2229 Australia
 Ph: 02 8536 4000 info@enware.com.au

