

A

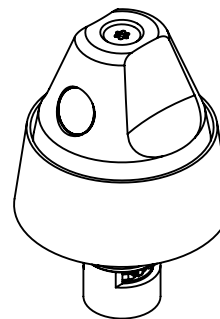
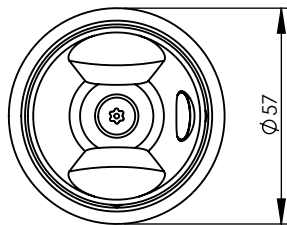
B

C

D

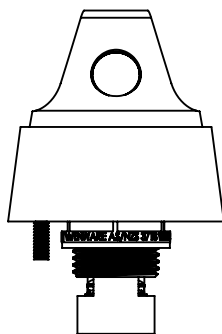
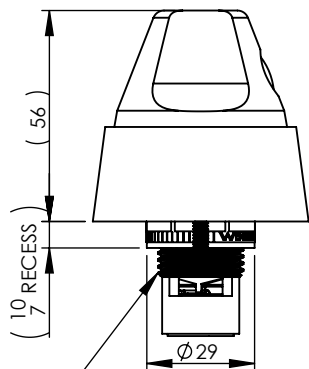
1

1



2

2

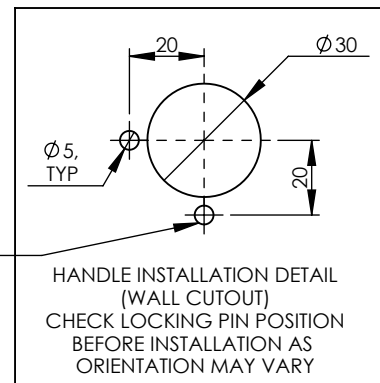


5/8 A (BSP)

3

3

SUPPLIED WITH 1 SCREW
OPTIONAL HOLE FOR
EXTRA SCREW



4

4



GENERAL NOTES:
 - DIMENSIONS ARE IN mm's
 - DO NOT SCALE OFF DIMENSIONS
 - TAPWARE TOLERANCE \pm 2 (EXCEPT WHERE STATED)
 - SAFETY SANITARY AND CARE TOLERANCE \pm 5 (EXCEPT WHERE STATED)

This drawing is the property of Enware Australia Pty Ltd and may not be reproduced in full or part without the written consent of Enware Australia.

DRAWN	KN
CHECKED	-
APPROVED	-



9 Endeavour Rd,
Caringbah, NSW, 2229
Ph. +61 2 8536 4000
Fax. +61 2 8556 4055

DRAWING NUMBER: DET608	REV D.01
TITLE: DET RECESS ADAPTOR	
FINISH: CHROME PLATED	SIZE: A4 SCALE: 1:2

A

B

C

D